

# CDX-C760/C760RDS

## SERVICE MANUAL

US Model

CDX-C760

AEP Model

UK Model

CDX-C760RDS



Photo CDX-C760RDS

### SPECIFICATIONS

#### AUDIO POWER SPECIFICATIONS (C760)

##### POWER OUTPUT AND TOTAL HARMONIC DISTORTION

15 watts per channel minimum continuous average power into 4 ohms, 4 channels driven from 20 Hz to 20 kHz with no more than 1 % total harmonic distortion

#### CD player section

System	Compact disc digital audio system
Signal-to-noise ratio	99 dB
Frequency response	10 - 20,000 Hz
Wow and flutter	Below measurable limit
Laser Diode Properties	
Material	GaAlAs
Wavelength	780 nm
Emission Duration	Continuous
Laser output power	Less than 44.6 $\mu$ W*

\* This output is the value measured at a distance of 200 mm from the objective lens surface on the Optical Pick up Block.

#### Tuner section

##### FM

Tuning range	87.5 - 107.9 MHz (C760) 87.5 - 108.0 MHz (C760RDS)
Antenna terminal	External antenna connector
Intermediate frequency	10.7 MHz
Usable sensitivity	10 dBf
Selectivity	75 dB at 400 kHz
Signal-to-noise ratio	62 dB (stereo), 65 dB (mono)
Harmonic distortion at 1 kHz	0.9% (stereo), 0.5% (mono)
Separation	35 dB at 1 kHz
Frequency response	30 - 15,000 Hz
Capture ratio	2 dB

Model Name Using Similar Mechanism	NEW
CD Drive Mechanism Type	MG-333S-121
Optical Pick-up Name	KSS-520A

##### AM (C760)

Tuning range	530 - 1,710 kHz
Antenna terminal	External antenna connector
Intermediate frequency	10.71 MHz/450 kHz
Sensitivity	30 $\mu$ V

##### MW/LW (C760RDS)

Tuning range	MW 531 - 1,602 kHz LW 153 - 281 kHz
Aerial terminal	External antenna connector
Intermediate frequency	10.71 MHz/450 kHz
Sensitivity	MW 30 $\mu$ V LW 50 $\mu$ V

#### Power amplifier section

Outputs	Speaker outputs (sure seal connectors)
Speaker impedance	4 - 8 ohms
Maximum power output	40 W $\times$ 4 (at 4 ohms)

- Continued on next page -

## FM/AM COMPACT DISC PLAYER

CDX-C760

## FM/MW/LW COMPACT DISC PLAYER

CDX-C760RDS



992557211

# SONY®

## General

Outputs	Line outputs (2) Power antenna relay control lead Power amplifier control lead
Tone controls	Bass $\pm 10$ dB at 100 Hz Treble $\pm 10$ dB at 10 kHz
Power requirements	12 V DC car battery (negative ground)
Dimensions	Approx 188 × 58 × 177 mm (7 1/2 × 2 3/8 × 7 in) (w/h/d)
Mounting dimension	Approx 178 × 50 × 154 mm (7 1/8 × 2 × 6 1/8 in) (w/h/d)
Mass	Approx 1.5 kg (3 lb 4.9 oz)
Supplied accessories	Rotary remote (RM-X2S) (1) Parts for installation and connections (1 set) Front panel case (1)

*Design and specifications are subject to change without notice*

## SERVICE NOTE

### CAUTION

Use of controls or adjustments or performance of procedures other than those specified herein may result in hazardous radiation exposure

### Notes on Chip Component Replacement

- Never reuse a disconnected chip component
- Notice that the minus side of a tantalum capacitor may be damaged by heat

### NOTES ON HANDLING THE OPTICAL PICK-UP BLOCK OR BASE UNIT

The laser diode in the optical pick-up block may suffer electrostatic breakdown because of the potential difference generated by the charged electrostatic load, etc. on clothing and the human body. During repair, pay attention to electrostatic breakdown and also use the procedure in the printed matter which is included in the repair parts.

The flexible board is easily damaged and should be handled with care.

### NOTES ON LASER DIODE EMISSION CHECK

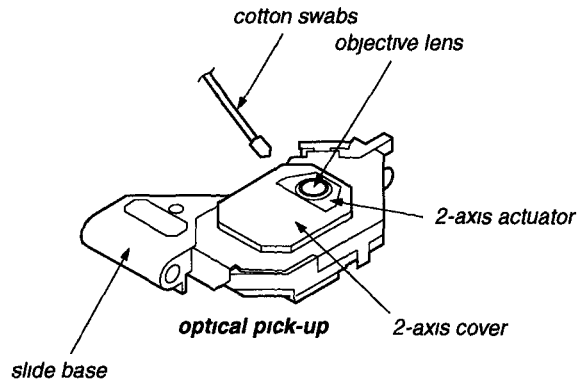
The laser beam on this model is concentrated so as to be focused on the disc reflective surface by the objective lens in the optical pick-up block. Therefore, when checking the laser diode emission, observe from more than 30 cm away from the objective lens.

### NOTES ON PICK-UP FLEXIBLE BOARD

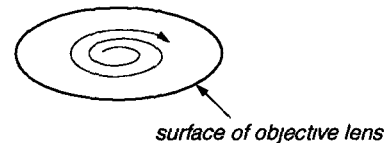
The pick-up flexible board in this set is secured to the optical pick-up with an adhesive tape. Once the tape is removed, an adhering force becomes weak, and it cannot be reused.

Therefore, if the optical pick-up is replaced, replace also the pick-up flexible board with a new one.

## NOTES ON CLEANING THE OBJECTIVE LENS



Apply CD lens cleaner B-4 (Part No. J-2501-000-A) to cotton swabs (narrow type) (Part No. J-2501-023-A) to be lightly wet. Use a force (about 5 g (0.18 oz)) to make the objective lens in contact with the bottom lightly, and clean the lens by spirals as following below. Replace the cotton swab and repeat this cleaning two or three times.



### Notes

Do not force to push the objective lens. Otherwise, the plate spring supporting the objective lens will be bent, causing a deteriorated RF waveform.

Never touch anything other than the objective lens. Otherwise, a significant deterioration occurs in the RF waveform.

### SAFETY-RELATED COMPONENT WARNING!!

COMPONENTS IDENTIFIED BY MARK  $\Delta$  OR DOTTED LINE WITH MARK  $\Delta$  ON THE SCHEMATIC DIAGRAMS AND IN THE PARTS LIST ARE CRITICAL TO SAFE OPERATION. REPLACE THESE COMPONENTS WITH SONY PARTS WHOSE PART NUMBERS APPEAR AS SHOWN IN THIS MANUAL OR IN SUPPLEMENTS PUBLISHED BY SONY.

## TABLE OF CONTENTS

<b>1. GENERAL</b>	
Location of Controls	4
Setting the Clock	4
CD Player	4
Radio	6
RDS	7
Other Functions	9
CD/MD Changer	11
Additional Information	14
Connections	16
<b>2. DISASSEMBLY</b>	
2-1 Cover Assy	18
2-2 Front Panel Assy	18
2-3 Sub Panel Assy	19
2-4 CD Mechanism Block	19
2-5 Main Board	20
2-6 Heat Sink	20
2-7 Chassis (T) Sub Assy	21
2-8 Lever Assy	21
2-9 Servo Board	22
2-10 Roller Assy	22
2-11 Chassis (OP) (O/S) Assy	23
2-12 Optical Pick-up Block	23
<b>3 ELECTRICAL ADJUSTMENTS</b>	
Tuner Section	24
<b>4. DIAGRAMS</b>	
4-1 IC Pin Descriptions	27
4-2 Circuit Boards Location	34
4-3 Block Diagram –CD Section–	35
4-4 Block Diagram –Main Section–	37
4-5 Printed Wiring Boards –CD Mechanism Section–	39
4-6 Schematic Diagram –CD Mechanism Section–	43
4-7 Schematic Diagram –Main Section–	48
4-8 Printed Wiring Board –Main Section–	53
4-9 Schematic Diagram –Display Section–	58
4-10 Printed Wiring Board –Display Section–	61
<b>5. EXPLODED VIEWS</b>	
5-1 Chassis Section	70
5-2 Front Panel Section	71
5-3 CD Mechanism Section (1)	72
5-4 CD Mechanism Section (2)	73
5-5 CD Mechanism Section (3)	74
<b>6 ELECTRICAL PARTS LIST</b>	75

# SECTION 1 GENERAL

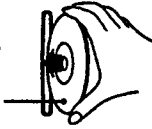
This section extracted from  
CDX-C760RDS's instruction manual

## EN Getting Started/CD Player



### Listening to a CD

Simply insert the CD  
Playback starts automatically  
Labelled side up



If a CD is already inserted, press **SOURCE**  
repeatedly until "CD" appears

Elapsed playing time



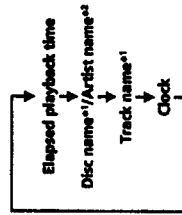
Track number

Note  
To play back an 8 cm CD use the optional Sony compact  
disc single adapter (CSA-8)

To	Press
Stop playback	<b>⏏</b> or <b>OFF</b>
Eject the CD	<b>⏏</b>

### Changing the displayed item

Each time you press **DISP**, the item changes  
as follows:



\*1 If you inserted a non-CD-TEXT disc, "NO D Name" or  
"NOT Name" appears in the display  
\*2 If you play a CD TEXT disc, the artist name appears in  
the display after the disc name (Only for CD-TEXT  
discs with the artist name.)

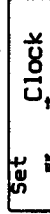
Tip  
If the name of the CD-TEXT disc is too long, you can scroll  
it across the display by pressing **SHIFT**, then **CD** (←)

### Setting the clock

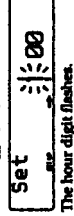
The clock uses a 24-hour digital indication.

Example Set the clock to 10:08

1 Press **SHIFT**, then press **⏏** (SET UP)



2 Press **⏏** (←)

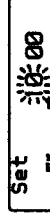


The hour digit flashes.

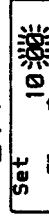
3 Set the hour



to go backward  
to go forward



4 Press **⏏** (→)

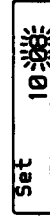


The minute digits flash

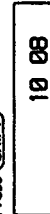
5 Set the minute



to go backward  
to go forward



6 Press **SHIFT**



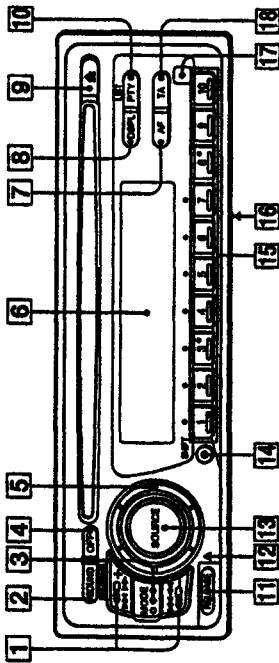
The clock starts.

7 Press **SHIFT**

After the mode setting is complete, the  
display goes back to normal playback  
mode.

Note  
If the POWER SELECT switch on the bottom of the unit is  
set to the **Ⓚ** position, turn the power on first then set the  
clock.

### Location of controls



Refer to the pages for details.

- 1 SEEK/AMS (seek/Automatic Music Sensor/manual search) button 6, 7, 8, 10, 14, 18, 19, 20, 21, 24
- 2 SOUND button 17
- 3 MODE (band/changer select) button 9, 10, 18, 20, 23
- 4 OFF button 4, 5
- 5 Dial (volume/bass/treble/balance/fader control) 5, 17, 22
- 6 Display window
- 7 AF button 11, 13
- 8 DSP (display mode change) button 5, 6, 10, 11, 18, 23
- 9 **⏏** (eject) button 5
- 10 PTY/LIST button  
Disc Memo 22, 23  
List-up 24
- 11 RDS Programme 14
- 12 RELEASE (front panel release) button 4, 26
- 13 Reset button (located on the front side of the unit behind by the front panel) 4
- 14 SOURCE (source select) button 5, 6, 9, 10, 18, 20, 23
- 15 SHIFT button  
PLAY MODE 6, 7, 8, 9, 10, 12, 13, 19, 20, 21, 22, 24
- 16 REP 7, 19  
SET UP 5, 6, 15, 17, 18, 23  
SHUF 7, 19
- 17 During radio reception  
Number buttons 10, 12, 13
- 18 During CD/MD playback:  
Direct disc selection buttons 19
- 19 POWER SELECT switch (located on the bottom of the unit)  
See "POWER SELECT Switch" in the Installation/Connections manual.
- 20 Receptor for the optional wireless remote
- 21 TA button 12, 13

**Automatically scrolling a disc name**

- Auto Scroll
- If the disc name/artist name or track name on a CD-TEXT disc exceeds 10 characters and the Auto Scroll function is on, automatically scrolls on the display as follows
  - The disc name appears when the disc has changed (if the disc name is selected)
  - The track name appears when the track has changed (if the track name is selected)
  - The disc or track name appears depending on the setting when you press **(SOURCE)** to select a CD-TEXT disc



If you press **(OSPD)** to change the display item, the disc or track name of the CD-TEXT disc is scrolled automatically whether you set the function on or off

- 1 During playback, press **(SHIFT)**
- 2 Press **(3)** (SET UP) repeatedly until "A.Scr1" appears
- 3 Press **(4)** (→) to select "A.Scr1 on"
- 4 Press **(SHIFT)**



To cancel Auto Scroll, select "A.Scr1 off" in step 2 above

**Note**  
For some CD-TEXT discs with extremely many characters the following cases may happen  
— Some of the characters are not displayed  
— Auto Scroll does not work.

**Locating a specific track**

- Automatic Music Sensor (AMS)
- During playback, press either side of **(SEEK/ZAMS)** momentarily
-  To locate succeeding tracks
-  To locate preceding tracks

**Locating a specific point in a track**

- Manual Search
- During playback, press and hold either side of **(SEEK/ZAMS)**. Release the button when you have found the desired point.
  -  To search forward
  -  To search backward

**Note**  
If "00:00:00" or "00:00" appears on the display, that means you have reached the beginning or the end of the disc and you cannot go any further

**Playing a CD in various modes**

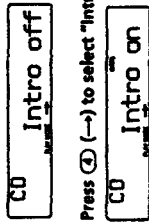
- You can play CDs in various modes
- Intro (Intro Scan) lets you play the first 10 seconds of all the tracks
  - Repeat (Repeat Play) repeats the current track.
  - Shuf (Shuffle Play) plays all the tracks in random order

**Searching for the desired track**

- Intro scan
- 1 Press **(SHIFT)**
- Every time you press **(SHIFT)**, only the items you can select light up



- 2 Press **(3)** (PLAY MODE) repeatedly until "Intro" appears  
Each time you press **(3)** (PLAY MODE), the item changes as follows.  
Intro → PGM



- 3 Press **(4)** (→) to select "Intro on"

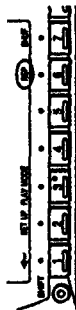
Intro Scan starts

- 4 Press **(SHIFT)**

To go back to normal playback mode, select "Intro off" in step 3 above

**Playing tracks repeatedly**

- Repeat Play
- 1 During playback, press **(SHIFT)**
- 2 Press **(1)** (REP) repeatedly until "Repeat 1" appears



Repeat Play starts

- 3 Press **(SHIFT)**
- To go back to normal playback mode, select "Repeat off" in step 2 above

**Playing tracks in random order**

- Shuffle Play
- 1 During playback, press **(SHIFT)**
- 2 Press **(2)** (SHUF) repeatedly until "Shuf 1" appears

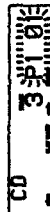


Shuffle Play starts.

- 3 Press **(SHIFT)**
- To go back to normal playback mode, select "Shuf off" in step 2 above

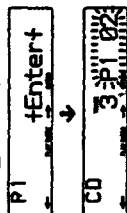
**Creating a programme**

- CD Programme Memory
- You can play the tracks in the order you want by making your own programme. You can make two programmes: Programme 1 and Programme 2. You can select up to 12 tracks for each programme. You can store the programmes in memory

- 1 Press **(SHIFT)**, then press **(3)** (PLAY MODE) for two seconds  
  
"P 1" shows Programme 1 is selected  
To select Programme 2, press **(4)** (←) repeatedly until "P 2" appears.

- 2 Press either side of **(SEEK/ZAMS)** to select the track you want.

- 3 Press **(3)** (ENTER) momentarily



- 4 To continue entering tracks, repeat steps 2 and 3

- 5 When you finish selecting tracks, press **(3)** (PLAY MODE) for two seconds.

- 6 Press **(SHIFT)**

**Notes**

- "Wait" appears in the display while the unit is reading the data
- "Mem Full" appears in the display when you try to enter more than 12 tracks into a programme



## Memorising stations automatically

— Best Tuning Memory (BTM)  
 The unit selects the stations with the strongest signals and memorises them in the order of their frequencies. You can store up to 10 stations on each band (FM1, FM2, MW and LW).

**Caution**  
 When tuning in stations while driving, use Best Tuning Memory to prevent accidents.




- 1 Press **(SOURCE)** repeatedly to select the tuner. Each time you press **(SOURCE)**, the source changes as follows  
 CD → TUNER
- 2 Press **(MODE)** repeatedly to select the band. Each time you press **(MODE)**, the band changes as follows  
 → FM1 → FM2 → MW → LW

- 3 Press **(SHIFT)**, then press **(PLAY MODE)** repeatedly until "B T M" appears.
- 4 Press **(←)**  
 The unit stores stations in the order of their frequencies on the number buttons. A beep sound and the setting is stored.
- 5 Press **(SHIFT)**

**Notes**

- The unit does not store stations with weak signals. If only a few stations are received, some number buttons will retain their former setting.
- When a number is indicated in the display, the unit starts storing stations from the one currently displayed.

### Erasing tracks in a programme

- 1 Press **(SHIFT)**, then press **(PLAY MODE)** for two seconds  
  
 "P 1" shows Programme 1 is selected. To select Programme 2, press **(←)** repeatedly until "P 2" appears
- 2 Press **(←)** or **(→)** to select the track you want to erase  
 Track slot number  
  
 The track currently registered in slot 6 of Programme 1
- 3 Press **(ENTER)** for two seconds. When you erase a track from a slot number, the succeeding tracks shift up to fill the gap  

- 4 To continue erasing tracks, repeat steps 2 and 3
- 5 When you finish erasing tracks, press **(PLAY MODE)** for two seconds.
- 6 Press **(SHIFT)**

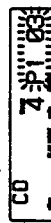
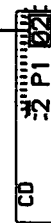
### 3 Press **(ENTER)** for two seconds

  
 The entire programme is erased

### 4 When you finish erasing programmes, press **(PLAY MODE)** for two seconds.

### 5 Press **(SHIFT)**

### Adding tracks to a programme

- 1 Press **(SHIFT)**, then press **(PLAY MODE)** for two seconds  
  
 "P 1" shows Programme 1 is selected. To select Programme 2, press **(←)** repeatedly until "P 2" appears
- 2 Press **(←)** or **(→)** to select the track slot number where you want to insert a track  
 Track slot number  

- 3 Press either side of **(SEEK/AMS)** to select the track you want to insert.

- 4 Press **(ENTER)** momentarily to enter the track. The current track in that slot number and the succeeding tracks shift down
- 5 To continue inserting tracks, repeat steps 2 through 4

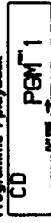
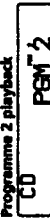
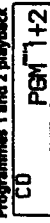
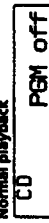
**Note**  
 Once all 12 slots have been filled, "Mem Full" appears in the display and you cannot insert tracks.

- 6 When you finish inserting tracks, press **(PLAY MODE)** for two seconds
- 7 Press **(SHIFT)**

### Playing the stored programme

You can select:


- PGM 1 to play Programme 1
- PGM 2 to play Programme 2
- PGM 1+2 to play Programmes 1 and 2.

- 1 Press **(SHIFT)**
- 2 Press **(PLAY MODE)** repeatedly until "PGM" appears
- 3 Press **(←)** repeatedly until the desired programme appears  
  
 Programme 1 playback  
  
 Programme 2 playback  
  
 Programmes 1 and 2 playback  
  
 Normal playback  
 Programme Play starts.
- 4 Press **(SHIFT)**

To go back to normal playback mode, select "PGM off" in step 3 above.

**Note**  
 "NO Data" appears in the display if no track is stored in the programme.

### Erasing an entire programme

- 1 Press **(SHIFT)**, then press **(PLAY MODE)** for two seconds  
  
 "P 1" shows Programme 1 is selected.
- 2 Press **(←)** repeatedly until "DEL" appears.



To delete Programme 2, press **(←)** repeatedly until "PGM 2" appears.

## Memorising only the desired stations

You can store up to 10 stations on each band (20 for FM1 and FM2, 10 for each MW and LW) in the order of your choice.

- 1 Press **(SOURCE)** repeatedly to select the tuner
- 2 Press **(MODE)** repeatedly to select the band (FM1, FM2, MW or LW)
- 3 Press either side of **(SEEK/AMS)** to tune in the station you want to store on the number button
- 4 Keep the desired number button **(1)** to **(10)** pressed for two seconds until "MEM" appears  
The number button indication appears in the display

**Note**  
If you try to store another station on the same number button, the previously stored station will be erased

## Receiving the memorised stations

- 1 Press **(SOURCE)** repeatedly to select the tuner
  - 2 Press **(MODE)** repeatedly to select the band (FM1, FM2, MW or LW)
  - 3 Press the number button **(1)** to **(10)** momentarily where the desired station is stored
- If you cannot tune in a preset station**
- Press either side of **(SEEK/AMS)** momentarily to search for the station (automatic tuning)  
Scanning stops when the unit receives a station. Press either side of **(SEEK/AMS)** repeatedly until the desired station is received.

**Note**  
If the automatic tuning stops too frequently, press **(SHIFT)**, then press **(PLAY/MODE)** repeatedly until "Local" (local set mode) is displayed. Then press **(←)** to select "Local on". Press **(SHIFT)**  
Only the stations with relatively strong signals will be tuned in.

**Tip**  
If you know the frequency of the station you want to listen to, press and hold either side of **(SEEK/AMS)** for two seconds until the desired frequency appears (manual tuning)

### If FM stereo reception is poor

- Monaural Mode
- 1 Press **(SHIFT)**, then press **(3)** (PLAY MODE) repeatedly until "Mono" appears
  - 2 Press **(4)** (→) repeatedly until "Mono on" appears.  
The sound improves, but becomes monaural ("SI" disappears)
  - 3 Press **(SHIFT)**

To go back to normal mode, select "Mono off" in step 2 above.

### Changing the displayed items

Each time you press **(SEPD)**, the item changes as follows. Frequency ↔ Clock

## Overview of the RDS function

Radio Data System (RDS) is a broadcasting service that allows FM stations to send additional digital information along with the regular radio programme signal. Your car stereo offers you a variety of services. Here are just a few re-tuning the same programme automatically, listening to traffic announcements and locating a station by programme type.

**Notes**

- Depending on the country or region, not all of the RDS functions are available.
- RDS may not work properly if the signal strength is weak or if the station you are tuned to is not transmitting RDS data

## Displaying the station name

The name of the current station lights up in the display

Select an FM station (page 10)  
When you tune in an FM station that transmits RDS data, the station name appears in the display



**Note**  
The "FM" indication means that an RDS station is being received.

### Changing the displayed item

Each time you press **(SEPD)**, the item changes as follows

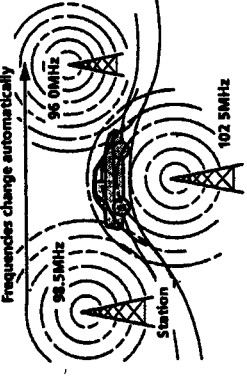


**Note**  
"NO Name" appears if the received station does not transmit RDS data

## Re-tuning the same programme automatically

— Alternative Frequencies (AF)

The Alternative Frequencies (AF) function automatically selects and re-tunes the station with the strongest signal in a network. By using this function, you can continuously listen to the same programme during a long-distance drive without having to re-tune the station manually



- 1 Select an FM station (page 10)
- 2 Press **(AF)**  
The unit starts searching for an alternative station with a stronger signal in the same network.

**Notes**

- When there is no alternative station in the area and you do not need to search for an alternative station, turn the AF function off by pressing **(AF)**
- "NO AF" and the station name flash alternately if the unit cannot find an alternative station on the network.
- If the station name starts flashing after selecting a station with the AF function on, this indicates that no alternative frequency is available. Press **(SEEK/AMS)** while the station name is flashing (within eight seconds). The unit starts searching for another frequency with the same PI (Programme Identification) data ("PI lock" appears and no sound is heard). If the unit cannot find another frequency, "NO PI" appears, and the unit returns to the originally selected frequency

**Listening to a regional programme**  
The "REG on" (regional on) function lets you stay tuned to a regional programme without being switched to another regional station. (Note that you must turn the AF function on.) The unit is factory preset to "REG on," but if you want to turn off the function, do the following

- 1 Press **(SHIFT)**, then press **(PLAY MODE)** repeatedly until "REG" appears.
- 2 Press **(←)** repeatedly until "REG off" appears
- 3 Press **(SHIFT)**  
Note that selecting "REG off" might cause the unit to switch to another regional station within the same network.

To go back to regional on, select "REG on" in step 2 above

**Note**  
The function does not work in the United Kingdom and in some other areas.

### Local link function (United Kingdom only)

The Local Link function lets you select other local stations in the area, even though they are not stored on your number buttons

- 1 Press a number button that has a local station stored on it.
- 2 Within five seconds, press the number button of the local station again
- 3 Repeat this procedure until the desired local station is received

## Listening to traffic announcements

The Traffic Announcement (TA) and Traffic Programme (TP) data let you automatically tune in an FM station that is broadcasting traffic announcements even though you are listening to other programme sources.

### Press **(TA)**

The unit starts searching for traffic information stations. "TP" appears in the display when the unit finds a station broadcasting traffic announcements.

When the traffic announcement starts, "TA" flashes. The flashing stops when the traffic announcement is over

**Tip**  
If the traffic announcement starts while you are listening to another programme source, the unit automatically switches to the announcement and goes back to the original source when the announcement is over

### Notes

- "NO TP" flashes for five seconds if the received station does not broadcast traffic announcements. Then, the unit starts searching for a station that broadcasts traffic announcements
- When "EON" appears with "TP" in the display, the current station makes use of broadcast traffic announcements by other stations in the same network.

### To cancel the current traffic announcement

Press **(TA)** momentarily  
To cancel all traffic announcements, turn off the function by pressing **(TA)**. "TA off" appears.

### Presetting the volume of traffic announcements

You can preset the volume level of the traffic announcements beforehand so you won't miss the announcement. When a traffic announcement starts, the volume will be automatically adjusted to the preset level

- 1 Select the desired volume level
- 2 Press **(TA)** for two seconds  
"TA" appears and the setting is stored

## Receiving emergency announcements

If an emergency announcement comes in while you are listening to the radio, the programme will automatically switch to the announcement. If you are listening to a source other than the radio, the emergency announcements will be heard if you set AF or TA to on. The unit will then automatically switch to these announcements no matter what you are listening to at the time

## Presetting the RDS stations with the AF and TA data

When you preset RDS stations, the unit stores each station's data as well as its frequency, so you don't have to turn on the AF or TA function every time you tune in the preset station. You can select a different setting (AF, TA, or both) for individual preset station, or the same setting for all preset stations.

### Presetting the same setting for all preset stations

- 1 Select an FM band (page 10)
- 2 Press **(AF)** and/or **(TA)** to select "AF on" and/or "TA on"  
Note that selecting "AF off" and "TA off" stores not only RDS stations, but also non-RDS stations.

3 Press **(SHIFT)**, then press **(PLAY MODE)** repeatedly until "B T M" appears

4 Press **(→)**

5 Press **(SHIFT)**

## Presetting different settings for each preset station

- 1 Select an FM band, and tune in the desired station
- 2 Press **(AF)** and/or **(TA)** to select "AF on" and/or "TA on"
- 3 Press the desired number button for two seconds until "MEM" appears  
Repeat from step 1 for presetting other stations.

### Tip

If you want to change the preset AF and/or TA setting after you tune in the preset station, you can do so by turning the AF or TA function on or off



## Locating a station by programme type

You can locate the station you want by selecting one of the programme types shown below.

**Note**  
If you are in a country or region where EON data is not transmitted, you can use this function only for the stations you have tuned in once.

Programme Types	Display
News	NEWS
Current Affairs	AFFAIRS
Information	INFO
Sports	SPORT
Education	EDUCATE
Drama	DRAMA
Culture	CULTURE
Science	SCIENCE
Varied	VARIED
Popular Music	POP M
Rock Music	ROCK M
Middle of the Road Music	M.O.R. M
Light Classical	LIGHT M
Classical	CLASSICS
Other Music Type	OTHER M
Weather	WEATHER
Finance	FINANCE
Children's programmes	CHILDREN
Social Affairs	SOCIAL A
Religion	RELIGION
Phone In	PHONE IN
Travel	TRAVEL
Leisure	LEISURE
Jazz Music	JAZZ
Country Music	COUNTRY
National Music	NATION M
Oldies Music	OLDIES
Folk Music	FOLK M
Documentary	DOCUMENT
Not specified	NONE

**Note**  
You cannot use this function in some countries where no PTY (Programme Type selection) data is available.

- 1 Press **(PTY/LED)** during FM reception until "PTY" appears.

PTY INFO

The current programme type name appears if the station is transmitting the PTY data "...-..." appears if the received station is not an RDS station, or if the RDS data has not been received.

- 2 Press **(PTY/LED)** repeatedly until the desired programme type appears. The programme types appear in the order shown in the above table. Note that you cannot select "NONE" (Not specified) for searching.

PTY SPORT

- 3 Press either side of **(SEEK/ZAMS)**. The unit starts searching for a station broadcasting the selected programme type. When the unit finds the programme, the programme type appears again for five seconds. "NO" and the programme type appear alternately for five seconds if the unit cannot find the programme type. It then returns to the previous station.

## Setting the clock automatically

The CT (Clock Time) data from the RDS transmission sets the clock automatically.

- 1 Press **(BRIEF)**, then press **(SET UP)** repeatedly until "CT" appears.

SET CT off

- 2 Press **(←)** repeatedly until "CT on" appears. The clock is set.

SET CT on

- 3 Press **(BRIEF)** to return to the normal display.

### To cancel the CT function

Select "CT off" in step 2 above.

**Notes**

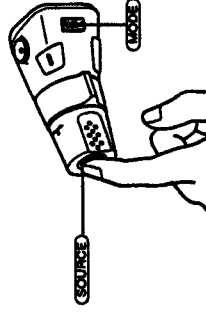
- The CT function may not work even though an RDS station is being received.
- There might be a difference between the time set by the CT function and the actual time.

## Other Functions

### Using the rotary remote

The rotary remote works by pressing buttons and/or rotating controls. You can control an optional CD or MD changer with the rotary remote.

### By pressing buttons (the SOURCE and MODE buttons)



Each time you press **(SOURCE)**, the source changes as follows  
TUNER → CD → MD

Pressing **(MODE)** changes the operation in the following ways.

- Tuner: FM1 → FM2 → MW → LW
- CD changer: CD1 → CD2 →
- MD changer: MD1 → MD2 →

**Tip**  
When the POWER SELECT switch is set to position **(Ⓢ)**, you can turn on this unit by pressing **(SOURCE)** on the rotary remote.

### By rotating the control (the SEEK/AMS control)



- Rotate the control momentarily and release it to**
- Locate a specific track on a disc. Rotate and hold the control until you locate the specific point in a track, then release it to start playback.
  - Tune in stations automatically. Rotate and hold the control to tune in a specific station.

### By pushing in and rotating the control (the PRESET/DISC control)



- Push in and rotate the control to**
- Receive the stations memorised on the number buttons.
  - Change the disc.

### Other operations

Rotate the VOL control to adjust the volume.



Press (MUTE) to mute the sound.

Press (OFF) to turn off the unit.

Press (SOUND) to adjust the volume and sound menu



Press (SET) to:

- Display the memorised names.
- Display the programme type

### Changing the operative direction

The operative direction of controls is factory-set as in the illustration below



To increase

To decrease

If you need to mount the rotary remote on the right side of the steering column, you can reverse the operative direction.



Press (SOUND) for two seconds while pushing the VOL control

**Tip**  
You can control the operative direction of controls with the unit (page 17)

## Adjusting the sound characteristics

You can adjust the bass, treble, balance and fader

Each source can store the bass and treble levels respectively

1 Select the item you want to adjust by pressing (SOUND) repeatedly

VOL (volume) → BAS (bass) → TRE (treble) → BAL (balance) → FAD (fader)

2 Adjust the selected item by rotating the dial

Adjust within three seconds after selecting the item. (After three seconds, the dial functions as the volume control.)

## Muting the sound

Press (MUTE) on the rotary remote or wireless remote

"Mute on" flashes momentarily

To restore the previous volume level, press (MUTE) again.

**Tip**  
The unit decreases the volume automatically when a telephone call comes in (Telephone mute function).

## Changing the sound and display settings

You can set:

- Clock (page 5)
- CT (Clock Time) (page 15)
- D.Info (Dual Information) to display the clock and the play mode at the same time (ON) or to display the information alternately (OFF)
- Amber/Green to change the illumination colour to amber or green.
- Dimmer to change the brightness of the display
- Select "Auto" to dim the display only when you turn the lights on.
- Select "on" to dim the display

- Contrast to adjust the contrast if the indications in the display are not recognizable because of the unit's installed position.

- Beep to turn on or off the beeps.
- RM (Rotary Remote) to change the operative direction of the controls of the rotary remote
- Select "norm" to use the rotary remote as the factory-set position.
- Select "rev" when you mount the rotary remote on the right side of the steering column.

- Loud (Loudness) to enjoy bass and treble even at low volume. The bass and treble will be reinforced.

- A.Scroll (Auto Scroll) (page 6, 18)
- Disc MEMO/TEXT name (Disc memo/CD-TEXT name) to set the priority display item when you connect an optional CD changer with the CD-TEXT and disc memo function (page 23)

1 Press (SHIFT)

2 Press (SET UP) repeatedly until the desired item appears

Each time you press (SET UP), the item changes as follows

Clock → CT → D Info → Amber/Green → Dimmer → Contrast → Beep → RM → Loud → A.Scroll → Disc MEMO/TEXT name

• When you have not turned the station or there is no CD/MD being played, these items will not appear

**Note**

The displayed item will differ depending on the source

3 Press (←) to select the desired setting (for example on or off)

For the "Contrast" setting, pressing (←) (→) makes the contrast higher, and pressing (←) (→) makes the contrast lower

4 Press (SHIFT)

After the mode setting is complete, the display goes back to normal playback mode



You can control up to 7 CD and MD changers with this unit. If you connect an optional CD changer with the CD-TEXT function, the CD-TEXT information will appear in the display when you play back a CD-TEXT disc.

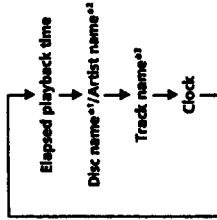
## Playing a CD or MD

- 1 Press **[SOURCE]** repeatedly to select the CD or MD
- 2 Press **[MODE]** until the desired changer appears. CD/MD playback starts.

When a CD/MD changer is connected, all the tracks play from the beginning.

## Changing the displayed item

Each time you press **[OSFL]** during CD, CD-TEXT or MD playback, the item changes as follows



- \*1 If you have not labeled the disc or there is no disc name pre-recorded on the MD "NO D Name" appears in the display
- \*2 If you play a CD-TEXT disc, the artist name appears in the display after the disc name. (Only for CD-TEXT discs with the artist name.)
- \*3 If the track name of a CD-TEXT disc or MD is not pre-recorded, "NO T Name" appears in the display

You can label a personalized name for CDs and CD-TEXT discs with the disc memo function, refer to "Labeling a CD" (page 22)

**Tip**  
If the name of the MD or CD-TEXT disc is too long, you can scroll it across the display by pressing **[OSFL]**, then **[←]**

## Automatically scrolling a disc name

- Auto Scroll  
If the disc name/artist name or track name on a CD-TEXT disc or MD exceeds 10 characters and the Auto Scroll function is on, automatically scrolls on the display as follows
  - The disc name appears when the disc has changed (if the disc name is selected)
  - The track name appears when the track has changed (if the track name is selected)
  - The disc or track name appears depending on the setting when you press **[SOURCE]** to select an MD or CD-TEXT disc.

If you press **[OSFL]** to change the display item, the disc or track name of the MD or CD-TEXT disc is scrolled automatically whether you set the function on or off

- 1 During playback, press **[SHIFT]**
- 2 Press **[SET UP]** repeatedly until "A.Scr1" appears
- 3 Press **[←]** to select "A.Scr1 on"
- 4 Press **[SHIFT]**

To cancel Auto Scroll, select "A.Scr1 off" in step 2 above.

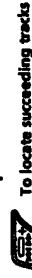
**Note**  
For some CD-TEXT discs with extremely many characters the following cases may happen  
— Some of the characters are not displayed  
— Auto Scroll does not work.

## Displaying the recording date of the current MD

Press **[OSFL]** for two seconds during MD playback. The recording date of the track is displayed for about three seconds.

## Locating a specific track

— Automatic Music Sensor (AMS)  
During playback, press either side of **[SEEK/AMS]** once for each track you want to skip



To locate succeeding tracks



To locate preceding tracks

## Locating a specific point in a track

— Manual Search  
During playback, press and hold either side of **[SEEK/AMS]**. Release the button when you have found the desired point.



To search forward



To search backward

## Locating a disc by disc number

— Direct Disc Selection

Press the number button that corresponds with the desired disc number. The desired disc in the current changer begins playback.

## Scanning the tracks

— Intro Scan

You can play the first 10 seconds of all the tracks on the current disc.

- 1 During playback, press **[SHIFT]**, then press **[PLAY MODE]** repeatedly until "Intro" appears
- 2 Press **[←]** to select "Intro on"  
Intro Scan starts.
- 3 Press **[SHIFT]**

To go back to normal playback mode, select "Intro off" in step 2 above.

## Playing tracks repeatedly

— Repeat Play

- You can select
  - Repeat 1 to repeat a track.
  - Repeat 2 to repeat a disc.
  - Repeat 3 to repeat all the discs in the current changer

- 1 During playback, press **[SHIFT]**

2 Press **[REP]** repeatedly until the desired setting appears.



Repeat Play starts.

- 3 Press **[SHIFT]**

To go back to normal playback mode, select "Repeat off" in step 2 above.

**Note**  
When you play back a CD on this unit, Repeat 3 has the same function as Repeat 2

## Playing tracks in random order

— Shuffle Play

- You can select
  - Shuf 1 to play the tracks on the current disc in random order
  - Shuf 2 to play the tracks in the current changer in random order
  - Shuf 3 to play all the tracks in random order

- 1 During playback, press **[SHIFT]**

2 Press **[SHUF]** repeatedly until the desired setting appears



Shuffle Play starts

- 3 Press **[SHIFT]**

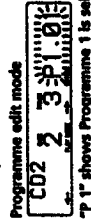
To go back to normal playback mode, select "Shuf off" in step 2 above

### Creating a programme

— Programme Memory (CD/MD changer with the programme memory function)

You can play tracks in the order you want by making your own programme. You can make two programmes, Programme 1 and Programme 2. You can select up to 12 tracks for each programme. You can store the programmes in memory.

- 1 Press **SHIFT**, then press **3** (PLAY MODE) for two seconds.



If you have labelled the disc, the bank edit mode appears. Press **3** (PLAY MODE) to display "P 1" above.

To select Programme 2, press **4** (→) repeatedly until "P 2" appears.

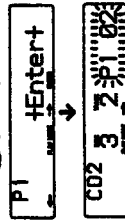
- 2 Select the track you want.
  - 1 Press **SOURCE** repeatedly to select CD or MD
  - 2 Press **MODE** repeatedly to select the changer

Press **SHIFT**, then press the number button to select the disc.

Press **SHIFT**

Press either side of **SEEK/AMS** to select the track.

- 3 Press **ENTER** momentarily



- 4 To continue entering tracks, repeat steps 2 and 3

- 5 When you finish entering tracks, press **3** (PLAY MODE) for two seconds.

- 6 Press **SHIFT**

#### Notes

- "Wait" appears in the display while the unit is reading the disc, or when a disc has not been put into the unit.
- "Mem Full" appears in the display when you try to enter more than 12 tracks into a programme

#### Playing the stored programme

Changing the disc order in the changer will not affect programme memory play

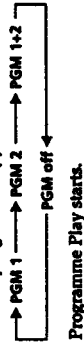
You can select

- PGM 1 to play Programme 1
- PGM 2 to play Programme 2
- PGM 1+2 to play Programmes 1 and 2.

- 1 Press **SHIFT**

- 2 Press **3** (PLAY MODE) repeatedly until "PGM" appears

- 3 Press **4** (→) repeatedly until the desired programme appears



- 4 Press **SHIFT**

To go back to normal playback mode, select "PGM off" in step 3 above

#### Notes

- If you press a number button during programme memory play programme memory play is interrupted, and playback of the selected disc starts.
- "NO Data" appears in the display if no track is stored in the programme.
- If a track stored into the programme memory is not in the disc magazine, the track will be skipped.
- When the disc magazine contains no tracks stored into the programme memory, or when the programme information has not been loaded yet, "Not Ready" appears.

#### Erasing an entire programme

- 1 Press **SHIFT**, then press **3** (PLAY MODE) for two seconds



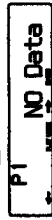
If you have labelled the disc, the bank edit mode appears. Press **3** (PLAY MODE) to display "P 1" above

- 2 Press **4** (→) repeatedly until "DEL" appears.



To erase Programme 2, press **4** (→) repeatedly until "PGM 2" appears.

- 3 Press **3** (ENTER) for two seconds



The entire programme is erased

- 4 When you finish erasing programmes, press **3** (PLAY MODE) for two seconds

- 5 Press **SHIFT**

#### Adding tracks to a programme

- 1 Press **SHIFT**, then press **3** (PLAY MODE) for two seconds



If you have labelled the disc, the bank edit mode appears. Press **3** (PLAY MODE) to display "P 1" above

To select Programme 2, press **4** (→) repeatedly until "P 2" appears.

- 2 Press **4** (→) or **3** (←) to select the track slot number where you want to insert a track.

Track slot number



- 3 Press either side of **SEEK/AMS** to select the track you want to insert.

- 4 Press **ENTER** momentarily to enter the track.


The current track in that slot number and the succeeding tracks shift down. To continue inserting tracks, repeat steps 2 through 4

Note  
Once all 12 slots have been filled, "Mem Full" appears in the display and you cannot insert tracks.

- 5 When you finish inserting tracks, press **3** (PLAY MODE) for two seconds

- 6 Press **SHIFT**


**Erasing tracks in a programme**

- 1 Press **SHIFT**, then press **3** (PLAY MODE) for two seconds  


\*P 1\* shows Programme 1 is selected

If you have labelled the disc, the bank edit mode appears. Press **3** (PLAY MODE) to display "P 1" above

To select Programme 2, press **4** (←) repeatedly until "P 2" appears.



- 2 Press **1** (←) or **4** (←) to select the track you want to erase  


Track slot number

The track currently registered in slot 6 of Programme 1


- 3 Press **4** (ENTER) for two seconds  

When you erase a track from a slot number, the succeeding tracks shift up to fill the gap




- 4 To continue erasing tracks, repeat steps 2 and 3
- 5 When you finish erasing tracks, press **3** (PLAY MODE) for two seconds.
- 6 Press **SHIFT**

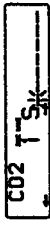
**Labeling a CD — Disc Memo**

(CD changer with the custom file function)  
 You can label each disc with a personalized name. You can enter up to eight characters for a disc. If you label a CD, you can locate the disc by name (page 24) and select the specific tracks for playback (page 24)

- 1 Play the CD and press **ENTER** for two seconds  

- 2 Enter the characters  

● Rotate the dial clockwise to select the desired characters  
 (A → B → C → Z → 0 → 1 → 2 → - → 9 → + → \* → / → \ → ^ → < → -)



- If you rotate the dial counterclockwise, the characters appear in the reverse order.  
 If you want to put a blank space between characters, select " " (under-bar)
- Press **4** (←) after locating the desired character  
 The flashing cursor moves to the next space  

  - If you press **1** (←), the flashing cursor moves to the left
  - Repeat steps 1 and 2 to enter the entire name

- 3 To return to normal CD playback mode, press **ENTER** for two seconds
- Tip*  
 To correct a name enter " " (under-bar) for each character

**Displaying the disc memo name or CD-TEXT name**

When you play back a CD-TEXT disc, you can set the priority display item to be the disc memo name or the CD-TEXT name.

- 1 Press **SHIFT** during CD-TEXT disc playback.
- 2 Press **4** (SET UP) repeatedly until "Disc MEMO" or "TEXT name" appears
- 3 Press **1** (←) to select "Disc MEMO" or "TEXT name"
- 4 Press **SHIFT**  
 After the mode setting is complete, the display goes back to normal playback mode.

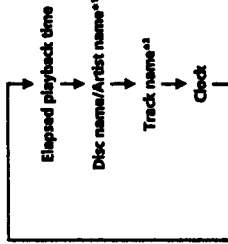
If you want to change to the other setting, you can change in step 2.

**Displaying the disc memo name**

Press **ENTER** during CD or CD-TEXT disc playback.



Each time you press **ENTER** during CD or CD-TEXT disc playback, the item changes as follows:



\*1 When you connect an optional CD changer with the CD-TEXT function, the personalized label or the CD-TEXT disc name appears. See below to change the display  
 -- To change the displayed item press **4** (←)  
 -- To change the display using display settings ("Displaying the disc memo name or CD-TEXT name")

The display item will change depending on the setting as follows.

Type of disc	Priority display setting	Actual display
A	Disc MEMO	Disc memo
	TEXT name	CD-TEXT information
B	Disc MEMO	Disc memo
	TEXT name	CD-TEXT information
C	Disc MEMO	CD-TEXT information
	TEXT name	CD-TEXT information
D	Disc MEMO	NO D Name
	TEXT name	NO D Name

- CD-TEXT disc with disc memo
  - Normal CD with disc memo
  - CD-TEXT disc without disc memo
  - Normal CD without disc memo
- \*2 If you connect an optional CD changer with the CD-TEXT function, the CD-TEXT information will appear in the display when you playback a CD-TEXT disc.

**Erasing the disc memo**

- 1 Press **SOURCE** repeatedly to select CD
- 2 Press **MODE** repeatedly to select the CD changer
- 3 Press **ENTER** for two seconds
- 4 Press **ENTER** for two seconds.
- 5 Rotate the dial to select the name you want to erase
- 6 Press **4** (ENTER) for two seconds  
 The name is erased  
 Repeat steps 5 and 6 if you want to erase other names.
- 7 Press **ENTER** for two seconds.  
 The unit returns to normal CD playback mode

### Locating a disc by name

--- List-up (CD changer with the custom file function or MD changer)

You can use this function for discs that have been assigned a custom name. For more information on disc names, refer to "Labeling a CD" (page 22)

- 1 Press **(F)VALUE** momentarily. The name assigned to the current disc appears in the display.
 

LST ↑ SCHUBERT

If you add disc memo labels to a CD-TEXT disc, the display setting you make will determine which information is displayed. If the disc has only one set of information (either CD-TEXT or disc memo labels), that information will be displayed regardless of the display setting you make.

- 2 Press **(F)VALUE**, repeatedly until you find the desired disc.
- 3 Press **(ENTER)** to play back the disc.

**Note**

- After a disc name has been displayed for five seconds, the display goes back to normal playback mode. To turn off the display, press **(SKIP)**.
- The track names are not displayed during MD playback.
- If there are no discs in the magazine, "NO Disc" appears in the display.
- If a disc has not been assigned a custom file, "\*\*\*\*\*" appears in the display.
- If the disc information has not been read by the unit, "T" appears in the display. To load the disc, first press the number button, then choose the disc that has not been loaded.
- The information appears only in upper case. There are also some letters which cannot be displayed (during MD playback).

### Selecting specific tracks for playback

--- Bank  
(CD changer with the custom file function)  
If you label the disc, you can set the unit to skip tracks and play only the tracks you want

- 1 Start playing the disc and press **(SHIFT)**. Then press **(3)** (PLAY MODE) for two seconds.



**Note**  
If you have not labeled the disc, the bank edit mode does not appear and the programme edit mode appears. To go back to normal playback mode, press **(SHIFT)**.

- 2 Press either side of **(SEEK/AMS)** to select the track number you want to skip and press **(ENTER)**.
 

CD2 5 3 Skip

The indication changes from "Play" to "Skip". If you want to return to "Play", press **(ENTER)** again.

- 3 Repeat step 2 to set the "Play" or "Skip" mode on all the tracks.
- 4 Press **(3)** (PLAY MODE) for two seconds. The unit returns to normal CD playback mode.
- 5 Press **(SHIFT)**.

**Notes**

- You can set the "Play" and "Skip" mode on up to 24 tracks.
- You cannot set the "Skip" mode on all the tracks.

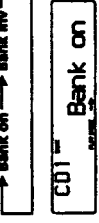
**Playing the specific tracks only**  
You can select

- Bank on to play the tracks with the "Play" setting.
- Bank Inv (Inverse) to play the tracks with the "Skip" setting.

- 1 During playback, press **(SHIFT)**, then press **(3)** (PLAY MODE) repeatedly until "Bank" appears.

- 2 Press **(-)** to repeatedly until the desired setting appears.
 

→ Bank on → Bank Inv → Bank off



Playback starts from the track following the current one.

- 3 Press **(SHIFT)**.  
To go back to normal playing mode, select "Bank off" in step 2 above.



### Precautions

- If your car was parked in direct sunlight resulting in a considerable rise in temperature inside the car, allow the unit to cool off before operating it.
- If no power is being supplied to the unit, check the connections first. If everything is in order, check the fuse.
- If no sound comes from the speakers of two-speaker systems, set the fader control to the centre position.
- If your car is equipped with a power aerial, it will extend automatically while the unit is operating.

If you have any questions or problems concerning your unit that are not covered in this manual, please consult your nearest Sony dealer.

### Notes on handling CDs

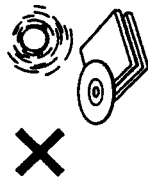
A dirty or defective disc may cause sound dropouts while playing. To enjoy optimum sound, handle the disc as follows. Handle the disc by its edge. To keep the disc clean, do not touch the surface.



Do not stick paper or tape on the labelled surface.



Do not expose the discs to direct sunlight or heat sources such as hot air-ducts, or leave them in a car parked in direct sunlight where there can be a considerable rise in the temperature inside the car.



Before playing, clean the discs with an optional cleaning cloth. Wipe each disc from the centre out.

Do not use solvents such as benzene, thinner, commercially available cleaners or antistatic spray intended for analog discs.



### Notes on moisture condensation

On a rainy day or in a very damp area, moisture may condense on the lenses inside the CD player. Should this occur, the unit will not operate properly. In this case, remove the disc and wait for about an hour until the moisture evaporates.

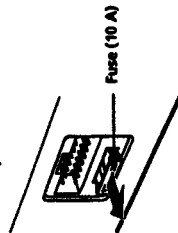
### When you play 8 cm CDs

Use the optional Sony compact disc single adapter (CSA-8) to protect the CD player from being damaged.

## Maintenance

### Fuse replacement

When replacing the fuse, be sure to use one that matches the amperage described on the fuse. If the fuse blows, check the power connection and replace the fuse. If the fuse blows again after replacement, there may be an internal malfunction. In such a case, consult your nearest Sony dealer.



### Warning

Never use a fuse with an amperage rating exceeding the one supplied with the unit as this could damage the unit.

### Cleaning the connectors

The unit may not function properly if the connectors between the unit and the front panel are not clean. To prevent this, open the front panel by pressing (RELEASE), then detach it and clean the connectors with a cotton swab dipped in alcohol. Do not apply too much force. Otherwise, the connectors may be damaged.

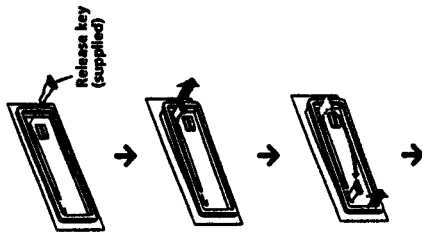


Main unit



Back of the front panel

## Dismounting the unit



Pull the unit out while the release key is inserted.



Press the clip inside the front cover with a thin screwdriver, and lever the front cover free.



# Connections

## Caution

- This unit is designed for negative earth 12 V DC operation only
- Connect the power connecting cord (D) to the unit and speakers before connecting it to the auxiliary power connector
- Run all earth wires to a common earth point.
- Connect the yellow cord to a free car circuit rated higher than the unit's fuse rating. If you connect this unit in series with other stereo components the car circuit they are connected to must be rated higher than the sum of the individual components fuse rating. If there are no car circuits rated as high as the unit's fuse rating, connect the unit directly to the battery. If no car circuits are available for connecting this unit, connect the unit to a car circuit rated higher than the unit's fuse rating in such a way that if the unit blows its fuse, no other circuits will be cut off.

## If Your Car has No Accessory Position on the Ignition Key Switch — POWER SELECT Switch

The illumination on the front panel is factory set to be on even when the unit is not being used. However, this setting may cause some car battery wear if your car has no accessory position on the ignition key switch. To avoid this battery wear, set the POWER SELECT switch located on the bottom of the unit to the (O) position, then press the reset button. The illumination is reset to stay off while the unit is not being used.

**Note**  
The caution alarm for the front panel is not activated when the POWER SELECT switch is set to the (O) position.

# Conexiones

## Precauciones

- Esta unidad ha sido diseñada para alimentarse solamente con 12 V CC, negativo a masa
- Conecte el cable de conexión de alimentación (D) a la unidad y a los altavoces antes de hacerlo al conector de alimentación auxiliar
- Conecte todos los conductores de puesta a masa a un punto común
- Conecte el cable amarillo a un circuito libre del automóvil que tenga una capacidad superior a la del fusible de la unidad. Si conecta esta unidad en serie con otros componentes estereofónicos el circuito del automóvil al que se encuentran conectados debe tener una capacidad superior a la de la suma de las capacidades de los fusibles de cada componente. Si ningún circuito del automóvil tiene una capacidad tan alta como la del fusible de la unidad, conecte ésta directamente a la batería. Si el automóvil no dispone de ningún circuito para conectar esta unidad, conéctela a un circuito del automóvil con capacidad superior a la del fusible de la unidad, de forma que si se funde el fusible de ésta, no se interrumpa ningún otro circuito.

## Si el automóvil no dispone de posición para accesorios en la llave de encendido — Selector POWER SELECT

La iluminación del panel frontal ha sido ajustada en fábrica para que permanezca activada aunque la unidad no se encuentre en funcionamiento. Sin embargo, este ajuste puede provocar cierta descarga de la batería del automóvil si éste no dispone de posición para accesorios en la llave de encendido. Para evitar esto, coloque el selector POWER SELECT situado en la base de la unidad en la posición (O) y después, presione el botón de reposición. La iluminación estará desactivada cuando la unidad no se encuentre en funcionamiento.

**Note**  
La alarma de precaución del panel frontal no se activará cuando el selector POWER SELECT se encuentre en la posición (O).

# Connexions

## Advertência

- Este aparelho foi projectado para funcionar somente com corrente contínua de 12 V com massa negativa
- Ligue o cabo de alimentação de corrente (D) ao aparelho e aos alifalantes antes de o ligar ao conector de corrente auxiliar
- Ligue todos os fios de terra num ponto de massa comum
- Ligue o cabo amarelo a um circuito livre do automóvel com uma capacidade nominal superior à do fusível do aparelho. Se ligar este aparelho em série com outros componentes estereó o circuito do automóvel a que estão ligados deve ter uma capacidade nominal superior à soma da capacidade dos fusíveis de cada componente. Se nenhum circuito do automóvel tiver uma capacidade tão alta como a do fusível do aparelho, ligue o aparelho directamente à bateria. Se o automóvel não tiver nenhum circuito disponível para ligação do aparelho, ligue-o a um circuito do automóvel com uma capacidade superior à do fusível do aparelho para que se o fusível do aparelho se fundir, nenhum dos outros circuitos seja cortado.

## Se o seu automóvel não estiver equipado com uma chave de ignição com posição acessórios — Interruptor POWER SELECT

A iluminação do painel frontal é regulada na fábrica para se manter acesa mesmo quando o aparelho não estiver ligado. No entanto, esta regulação pode provocar a descarga da bateria se o aparelho for utilizado em automóveis sem chave de ignição com posição acessórios. Para evitar a descarga da bateria, regule o interruptor POWER SELECT situado na base do aparelho para a posição (O). Em seguida, carregue no botão de reinitialização. A iluminação é regulada para ficar apagada enquanto o aparelho estiver desligado.

**Note**  
O alarme de advertência do painel frontal é activado quando o interruptor POWER SELECT estiver regulado para a posição (O).

# Anslutning

## Säkerhetsföreskrifter

- Denna bilstereo är endast avsedd för anslutning till ett negativt jordat 12 V bilbatteri.
- Anslut strömkabeln (D) till enheten och högtalarna innan du ansluter till den yttre strömanslutningen
- Dra samtliga jordledningar till en och samma Jordningspunkt.
- Anslut den gula kabeln till en ledig bilkrets som har en säkring med ett högre ampere än enheten. Om du senekopplar denna enhet med andra stereokomponenter måste den bilkretsens säkring vara högre än enhetens ampere. Om det inte finns någon bilkrets som har en säkring med ett lika högt ampere som enheten, ska du ansluta enheten direkt till batteriet. Om det inte finns några bilkretsar att ansluta denna enhet till ska du ansluta enheten till en enhet som har en säkring med en högre ampere än enheten för att förhindra att inga andra kretsar klippas av om säkringen smälter.

## Montera bilstereon i en bil vars tändlås inte har något strömläge — Omkopplaren POWER SELECT

Innan bilstereon levererades från fabriken ställdes belysningen i teckenfönstret in så att den lyser också när bilstereon inte används. Detta kan emellertid orsaka urladdning av batteriet när du använder bilstereon i en bil, vars tändlås saknar läget ACC (strömläge). Skjut omkopplaren POWER SELECT på bilstereons undersida till läge (O) och tryck sedan på återställningsknappen för att undvika att bilbatteriet laddas ur. Nu lyser inte längre belysningen i teckenfönstret när bilstereon inte används.

**Observera**  
Varningssignalen som varnar om du inte har lagt loss frontpanelen lyder inte när omkopplaren POWER SELECT står i läge (O).

Change the position with a jeweler's screwdriver etc. Cambie la posición con un destornillador de relojero etc. Altere a posição do interruptor com uma chave de fendas de precisão, etc. Använd en skruvmejsel för finmekaniker eller ett liknande verktyg för att ändra på omkopplarläget.



## Reset Button

When the installation and connections are complete be sure to press the reset button with a ballpoint pen etc.

**Note on the control leads**  
The power aerial control lead (blue) supplies +12 V DC when you turn on the tuner or when you activate the AF (Alternative Frequency) or the TA (Traffic Announcement) functions.

**Memory hold connection**  
When the yellow power input lead is connected, power will always be supplied to the memory circuit even when the ignition key switch is turned off.

**Notes on speaker connection**

- Before connecting the speakers, turn the unit off.
- Use speakers with an impedance of 4 to 8 ohms and with adequate power handling capacities. Otherwise, the speakers may be damaged.
- Do not connect the terminals of the speaker system to the car chassis and do not connect the terminals of the right speaker with those of the left speaker.
- Do not attempt to connect the speakers in parallel.
- Do not connect any active speakers (with built-in amplifiers) to the speaker terminals of the unit. Doing so may damage the active speakers. Therefore, be sure to connect passive speakers to these terminals.

**Warning**  
If you have a power aerial without a relay box, connecting this unit with the supplied power connecting cord (D) may damage the aerial.

## Botón de reposición

Quando finalizar a instalação e las conexiones cerciórese de presionar el botón de reposición con un bolígrafo etc.

**Nota sobre conductores de control**  
El conductor de control de la antena motorizada (azul) suministrará +12 V CC cuando conecte la alimentación del sintonizador o cuando active la función de frecuencia alternativa (AF) o la de anuncios de tráfico (TA).

**Conexión para protección de la memoria**  
Si conecta el conductor de entrada amarillo, el circuito de la memoria recibirá siempre alimentación, incluso aunque sitúe la llave de encendido en la posición OFF.

**Notas sobre la conexión de los altavoces**

- Antes de conectar los altavoces, desconecte la alimentación de la unidad.
- Utilice altavoces con una impedancia de 4 a 8 ohmios y con la potencia máxima admisible adecuada ya que de lo contrario podría dañarlos.
- No conecte los terminales del sistema de altavoces al chasis del automóvil ni los del altavoz izquierdo a los del derecho.
- No intente conectar los altavoces en paralelo.
- No conecte altavoces activos (con amplificadores incorporados) a los terminales de altavoces de la unidad. Si lo hiciera, podría dañar tales altavoces. Por lo tanto, cerciórese de conectar altavoces pasivos a estos terminales.

**Advertencia**  
Si dispone de una antena motorizada sin dispositivo de relé, la conexión de este unidad con el cable de conexión de alimentación (D) suministrado puede dañar la antena.

## Botão de reinitialização

Quando terminar a instalação e as ligações, não se esqueça de carregar no botão de reinitialização com a ponta de uma caneta etc.

**Nota sobre os fios de controlo**  
O fio de controlo da antena eléctrica (azul) fornece uma corrente contínua (CC) de +12 V quando se liga o sintonizador ou se activa a função AF (frequência Alternativa) ou TA (Informações de Tráfego).

**Ligação para alimentação contínua da memória**  
Quando ligar o fio amarelo de entrada de alimentação, os circuitos de memória ficarão com alimentação contínua mesmo se a chave de ignição estiver desligada.

**Notas sobre a ligação dos altifalantes**

- Antes de ligar os altifalantes, desligue o aparelho.
- Utilize altifalantes com impedância de 4 a 8 ohm e com capacidade admissível de potência adequada. Caso contrário os altifalantes poderão sofrer avarias.
- Não ligue os terminais do sistema de altifalantes ao chassis do automóvel e não ligue os terminais do altifalante direito aos terminais do altifalante esquerdo.
- Não tente ligar os altifalantes em paralelo.
- Não ligue nenhum sistema de altifalantes activos (com amplificadores incorporados) aos terminais dos altifalantes do aparelho.
- Caso o fecho poder avariar o sistema de altifalantes activos, portanto não se esqueça de ligar altifalantes passivos a estes terminais.

**Atenção**  
Se a antena eléctrica não tiver uma caixa de relé, o facto de ligar esta aparelho com a cabo de alimentação (D) fornecido pode provocar danos na antena.

## Nollställningsknappen

Kom ihåg att använda en penna eller något annat spetsigt föremål för att trycka på nollställningsknappen när anslutningen och monteringen är klar.

**Att observera angående de olika styrkablarna**  
Motorantennens styrkabel ANT REM (blå) leder 12 V likström när bilradion slås på eller när radomottagningsautomatiken eller AF (alternativa frekvenser) eller trafikmeddelanden (TA).

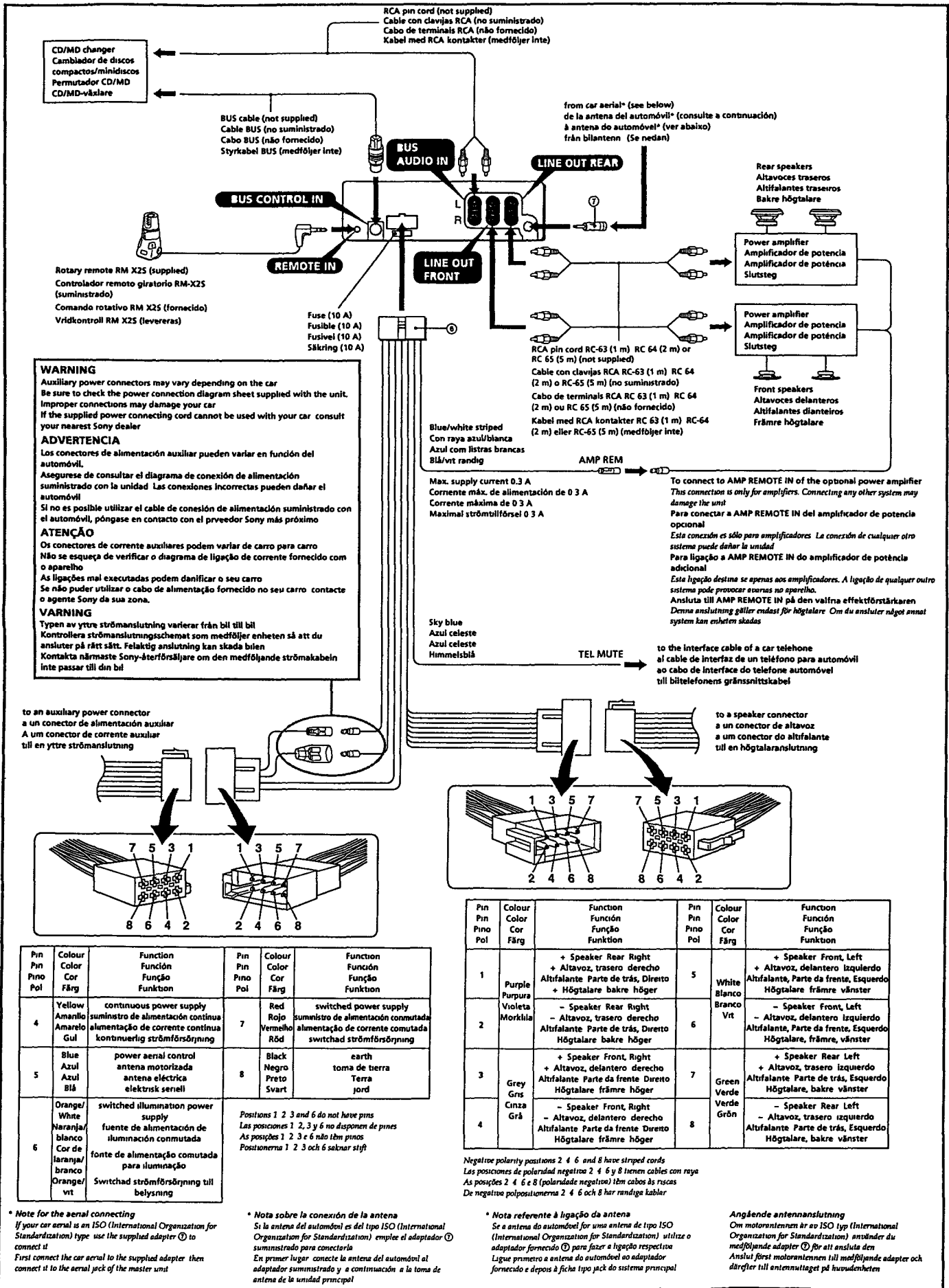
**Anslutning för minnesstöd**  
När du anslutit den gula ingående strömkabeln försörjs minneskretsen med ström hela tiden även när tändlåset slås från.

**Att observera angående högtalarnas anslutning**  
Så som bilstereon innan du ansluter högtalarna

- Anslut endast högtalare vars impedans varnar från 4 till 8 ohm och som har tillräcklig effekthanteringskapacitet för att skydda högtalarna mot skador.
- Anslut inte något av högtalaruttagen till bilens chassi.
- Anslut inte heller uttagen på höger högtalare till uttagen på vänster högtalare.
- Anslut inte högtalarna parallellt.
- Anslut inte aktiva högtalare (med inbyggda slutsteg) till bilstereons högtalaruttag eftersom de kan skada de aktiva högtalarna.
- Var noga med att bara ansluta passiva högtalare till dessa uttag.

**Varning**  
Om du har en motorantenn utan reläbox kan antennen skadas om du ansluter enheten med den medföljande strömkabeln (D).





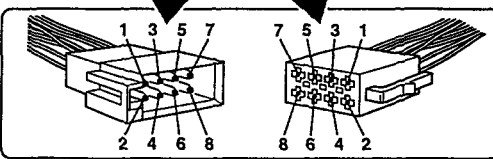
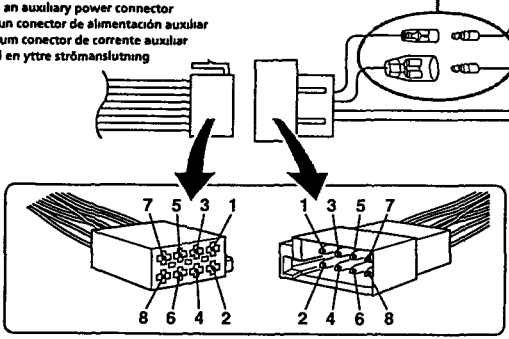
**WARNING**  
Auxiliary power connectors may vary depending on the car. Be sure to check the power connection diagram sheet supplied with the unit. Improper connections may damage your car. If the supplied power connecting cord cannot be used with your car, consult your nearest Sony dealer.

**ADVERTENCIA**  
Los conectores de alimentación auxiliar pueden variar en función del automóvil. Asegúrese de consultar el diagrama de conexión de alimentación suministrado con la unidad. Las conexiones incorrectas pueden dañar el automóvil. Si no es posible utilizar el cable de conexión de alimentación suministrado con el automóvil, póngase en contacto con el proveedor Sony más próximo.

**ATENÇÃO**  
Os conectores de corrente auxiliares podem variar de carro para carro. Não se esqueça de verificar o diagrama de ligação de corrente fornecido com o aparelho. Se não puder utilizar o cabo de alimentação fornecido no seu carro, contate o agente Sony da sua zona.

**WARNING**  
Typen av yttre strömanslutning varierar från bil till bil. Kontrollera strömanslutningsschemat som medföljer enheten så att du ansluter på rätt sätt. Felaktig anslutning kan skada bilen. Kontakta närmaste Sony-återförsäljare om den medföljande strömkabeln inte passar till din bil.

To connect to AMP REMOTE IN of the optional power amplifier. This connection is only for amplifiers. Connecting any other system may damage the unit.  
Para conectar a AMP REMOTE IN del amplificador de potencia opcional. Esta conexión es sólo para amplificadores. La conexión de cualquier otro sistema puede dañar la unidad.  
Para ligação a AMP REMOTE IN do amplificador de potência adicional. Esta ligação destina-se apenas aos amplificadores. A ligação de qualquer outro sistema pode provocar avarias no aparelho.  
Ansluta till AMP REMOTE IN på den valfria effektförstärkaren. Denna anslutning gäller endast för högtalare. Om du ansluter något annat system kan enheten skadas.



Pin	Colour	Function	Pin	Colour	Function
Pin	Color	Función	Pin	Color	Función
Pino	Cor	Función	Pino	Cor	Función
Pol	Färg	Funktion	Pol	Färg	Funktion
4	Yellow Amarillo Amarelo Gul	continuous power supply suministro de alimentación continua alimentação de corrente continua kontinuerlig strömförsörjning	7	Red Rojo Vermelho Rôd	switched power supply suministro de alimentación conmutada alimentação de corrente conmutada switchad strömförsörjning
5	Blue Azul Azul Blå	power aerial control antena motorizada antena eléctrica elektrisk serrell	8	Black Negro Preto Svart	earth toma de tierra Terra jord
6	Orange/ White Naranja/ blanco Cor de laranja/ branco Orange/ vit	switched illumination power supply fuente de alimentación de iluminación conmutada fonte de alimentação conmutada para iluminação Switchad strömförsörjning till belysning	Positions 1 2 3 and 6 do not have pins Las posiciones 1 2, 3 y 6 no disponen de pines As posições 1 2 3 e 6 não têm pines Positionerna 1 2 3 och 6 saknar stift		

Pin	Colour	Function	Pin	Colour	Function
Pin	Color	Función	Pin	Color	Función
Pino	Cor	Función	Pino	Cor	Función
Pol	Färg	Funktion	Pol	Färg	Funktion
1	Purple Purpura Violeta Morkkila	+ Speaker Rear Right + Altavoz, trasero derecho Altfalante Parte de trás, Direito + Högtalare bakre höger	5	White Blanco Branco Vit	+ Speaker Front, Left + Altavoz, delantero izquierdo Altfalante Parte da frente, Esquerdo Högtalare främre vänster
2		- Speaker Rear Right - Altavoz, trasero derecho Altfalante Parte de trás, Direto Högtalare bakre höger	6		- Speaker Front, Left - Altavoz, delantero izquierdo Altfalante Parte da frente, Esquerdo Högtalare, främre, vänster
3	Grey Gris Cinza Grå	+ Speaker Front, Right + Altavoz, delantero derecho Altfalante Parte da frente Direito Högtalare främre höger	7	Green Verde Verde Grön	+ Speaker Rear Left + Altavoz, trasero izquierdo Altfalante Parte de trás, Esquerdo Högtalare, bakre vänster
4		- Speaker Front, Right - Altavoz, delantero derecho Altfalante Parte da frente Direito Högtalare främre höger	8		- Speaker Rear Left - Altavoz, trasero izquierdo Altfalante Parte de trás, Esquerdo Högtalare, bakre vänster

Negative polarity positions 2 4 6 and 8 have striped cords  
Las posiciones de polaridad negativa 2 4 6 y 8 tienen cables con raya  
As posições 2 4 6 e 8 (polaridade negativa) têm cabos às riscas  
De negativo polpositiomer 2 4 6 och 8 har randiga kablar

\* Note for the aerial connecting  
If your car aerial is an ISO (International Organization for Standardization) type, use the supplied adapter (D) to connect it.  
First connect the car aerial to the supplied adapter then connect it to the aerial jack of the master unit

\* Nota sobre la conexión de la antena  
Si la antena del automóvil es del tipo ISO (International Organization for Standardization) emplee el adaptador (D) suministrado para conectarla.  
En primer lugar, conecte la antena del automóvil al adaptador suministrado y a continuación a la toma de antena de la unidad principal

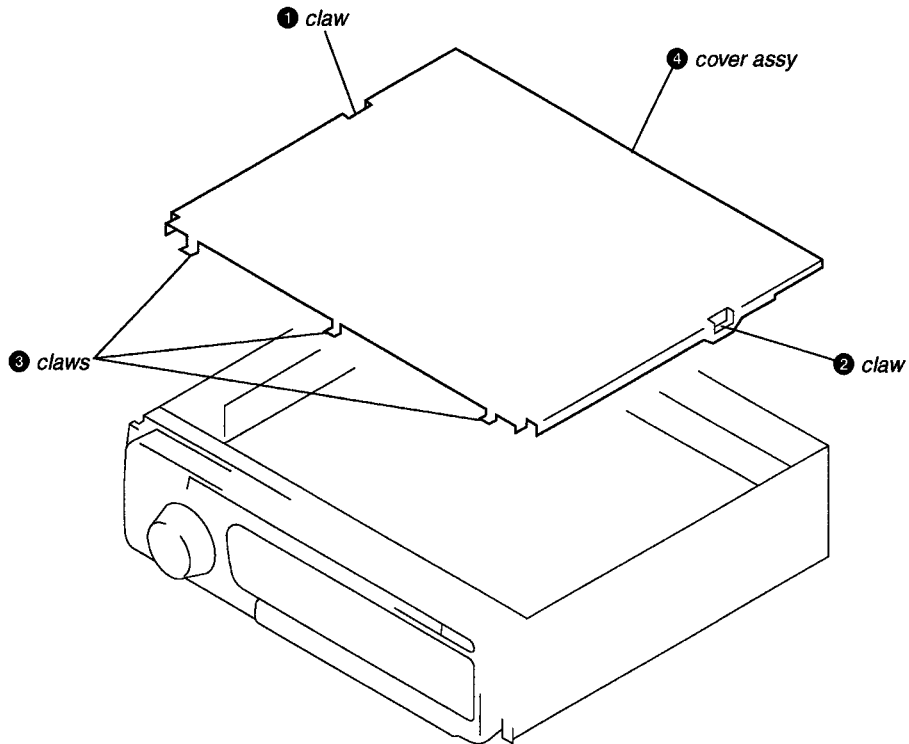
\* Nota referente à ligação da antena  
Se a antena do automóvel for uma antena de tipo ISO (International Organization for Standardization) utilize o adaptador fornecido (D) para fazer a ligação respectiva.  
Ligue primeiro a antena do automóvel ao adaptador fornecido e depois à ficha tipo jack do sistema principal

Angående antennanslutning  
Om motornnemen är av ISO typ (International Organization for Standardization) använder du medföljande adapter (D) för att ansluta den.  
Anslut först motornnemen till medföljande adapter och därefter till antennuttaget på huvudenheten

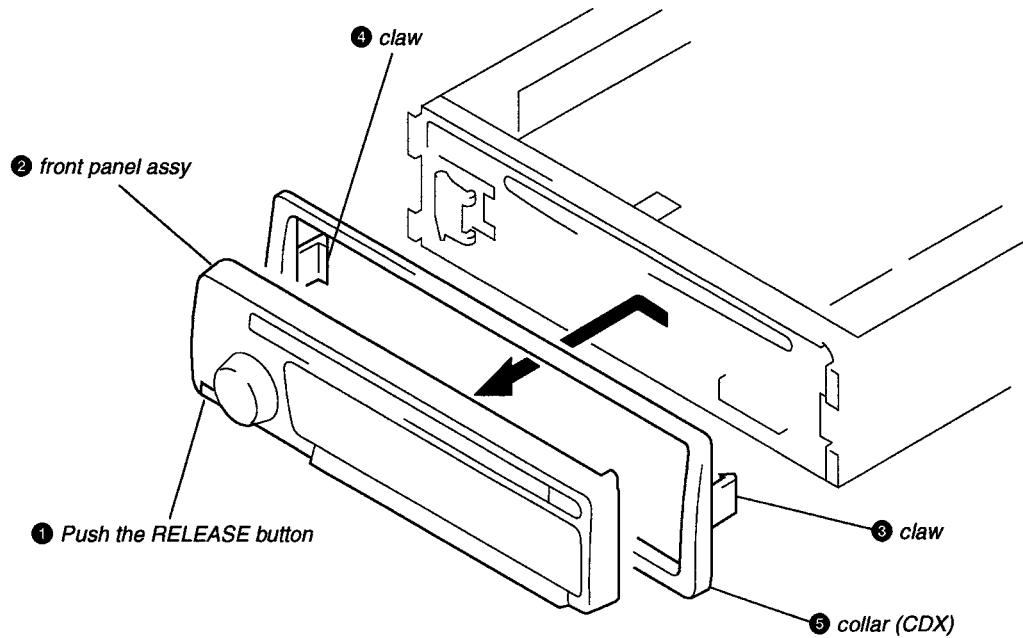
## SECTION 2 DISASSEMBLY

**Note** Follow the disassembly procedure in the numerical order given

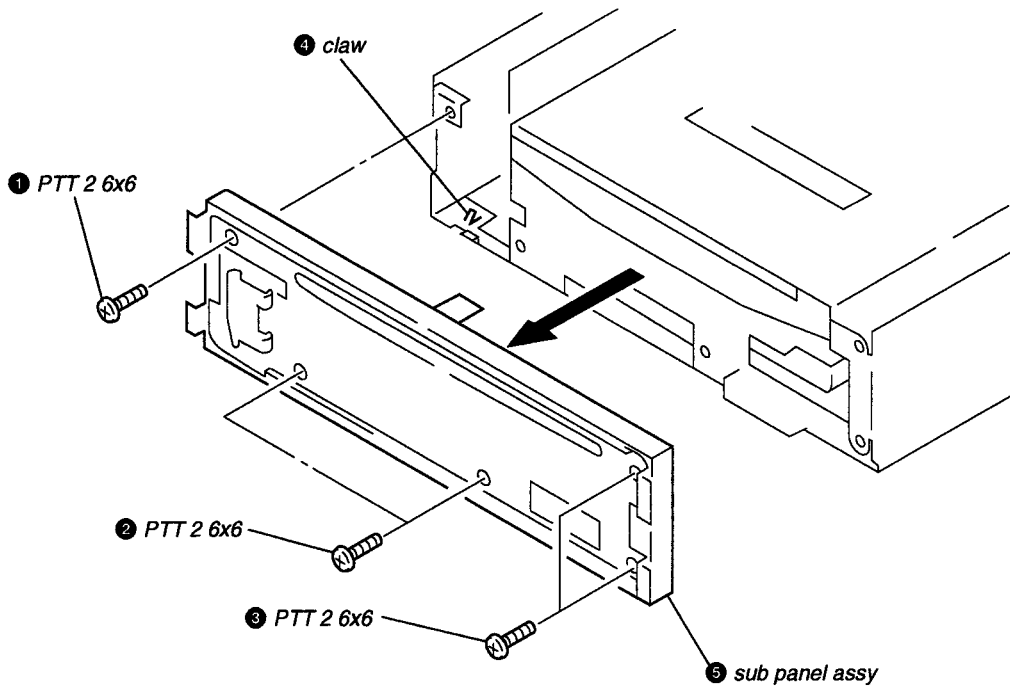
### 2-1. COVER ASSY



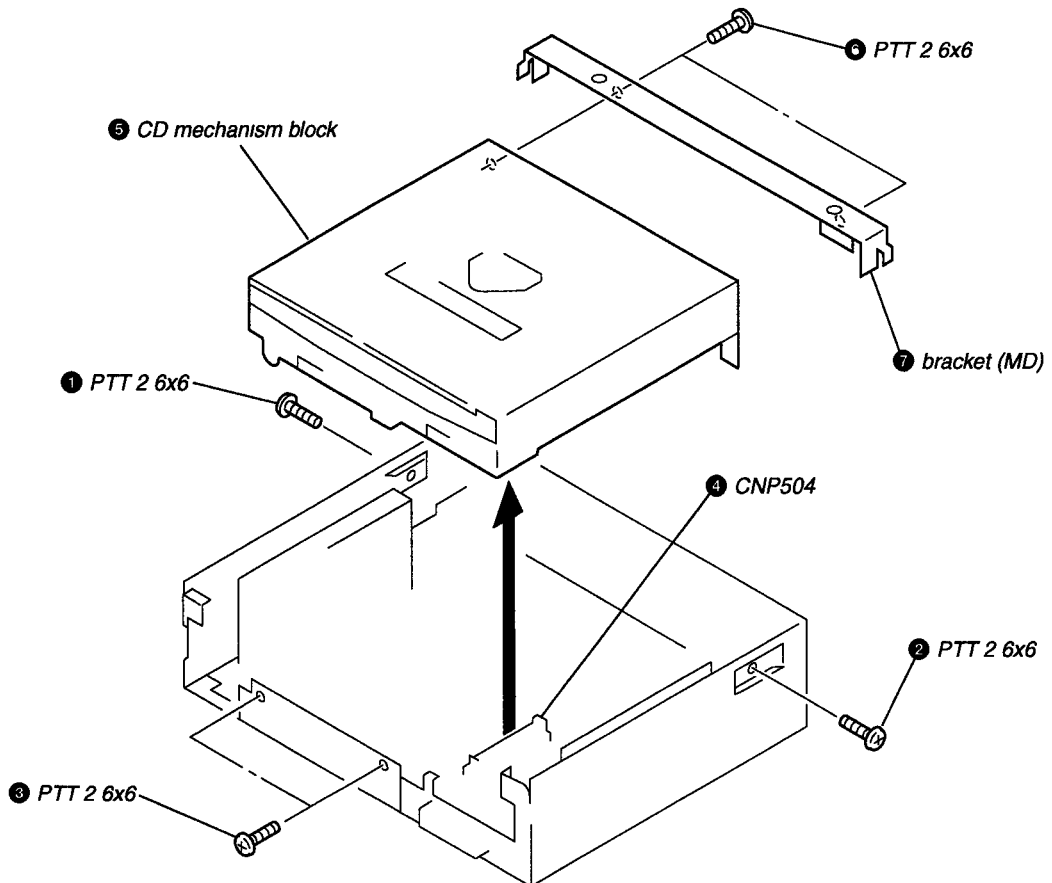
### 2-2. FRONT PANEL ASSY



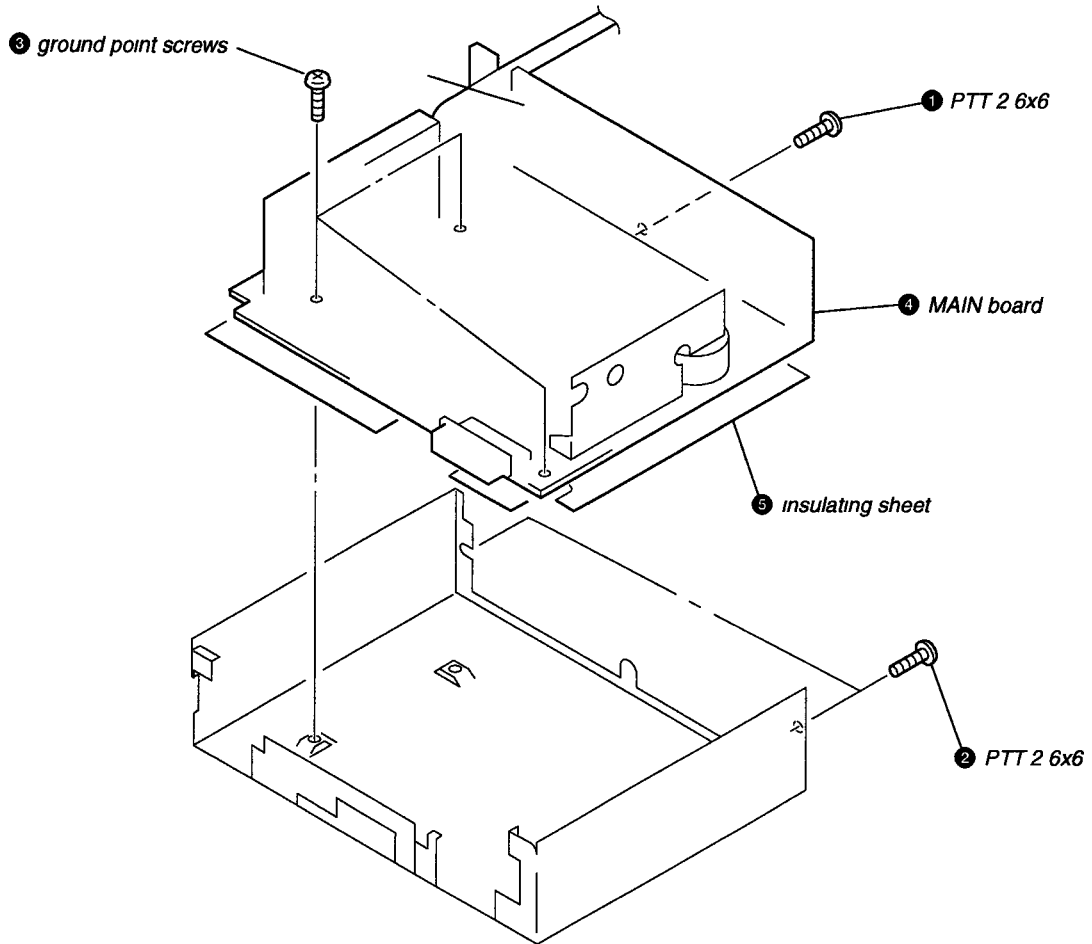
### 2-3. SUB PANEL ASSY



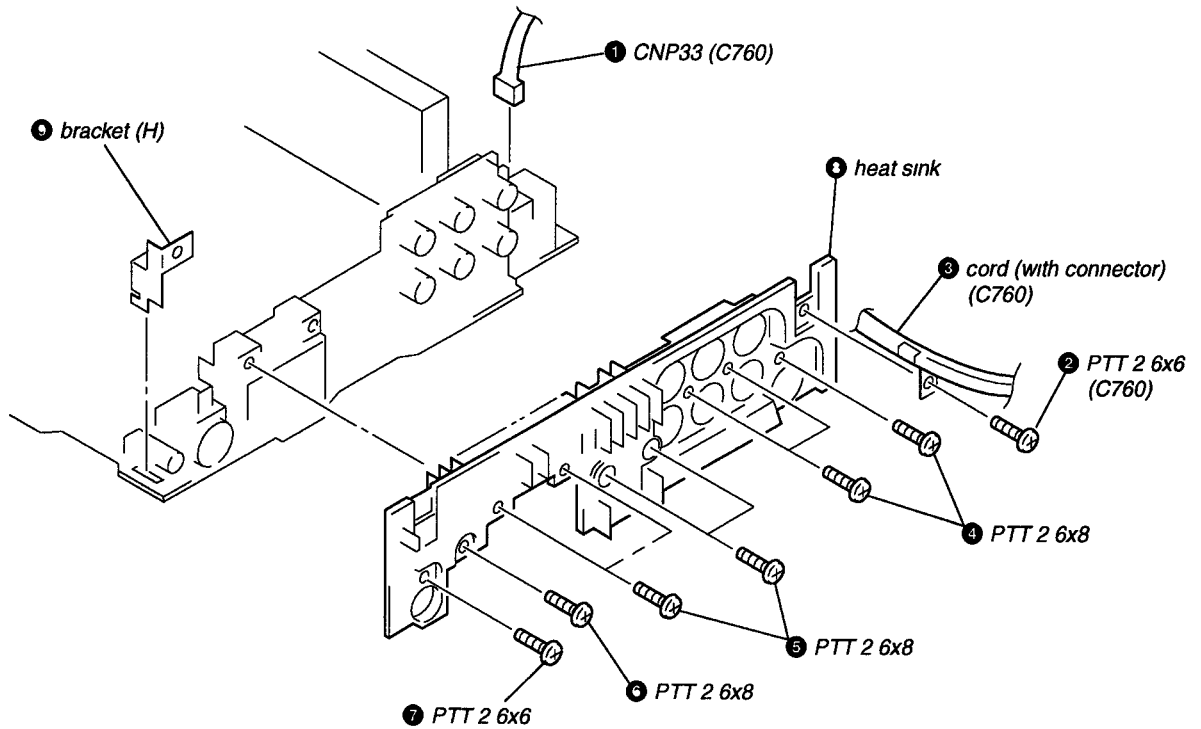
### 2-4. CD MECHANISM BLOCK



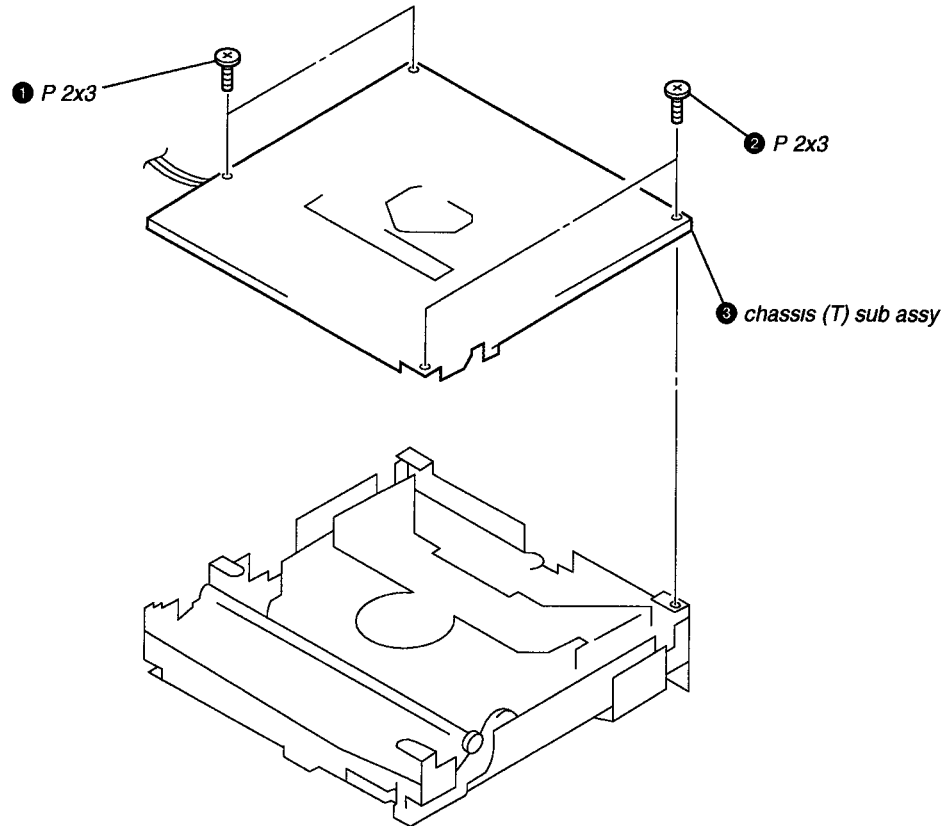
## 2-5. MAIN BOARD



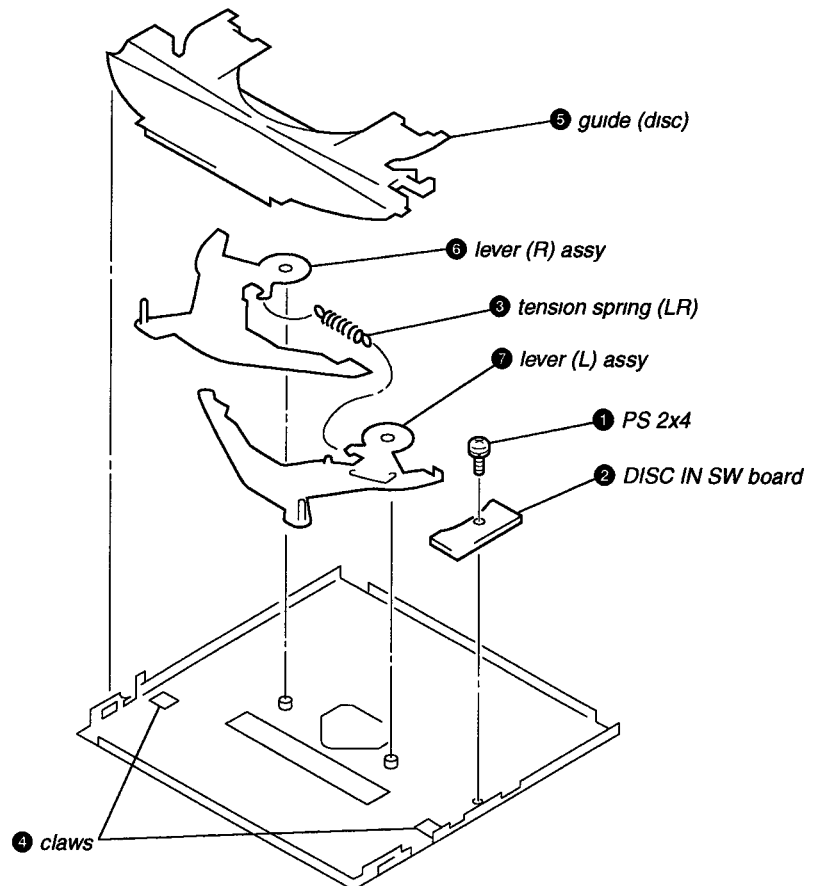
## 2-6. HEAT SINK



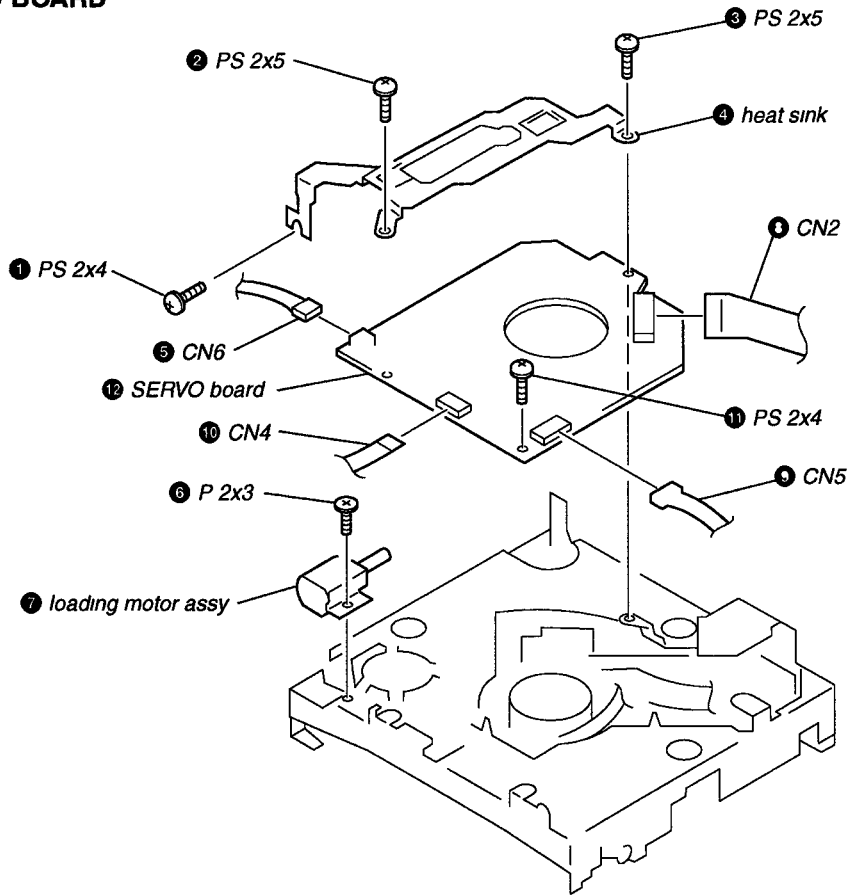
## 2-7. CHASSIS (T) SUB ASSY



## 2-8. LEVER ASSY

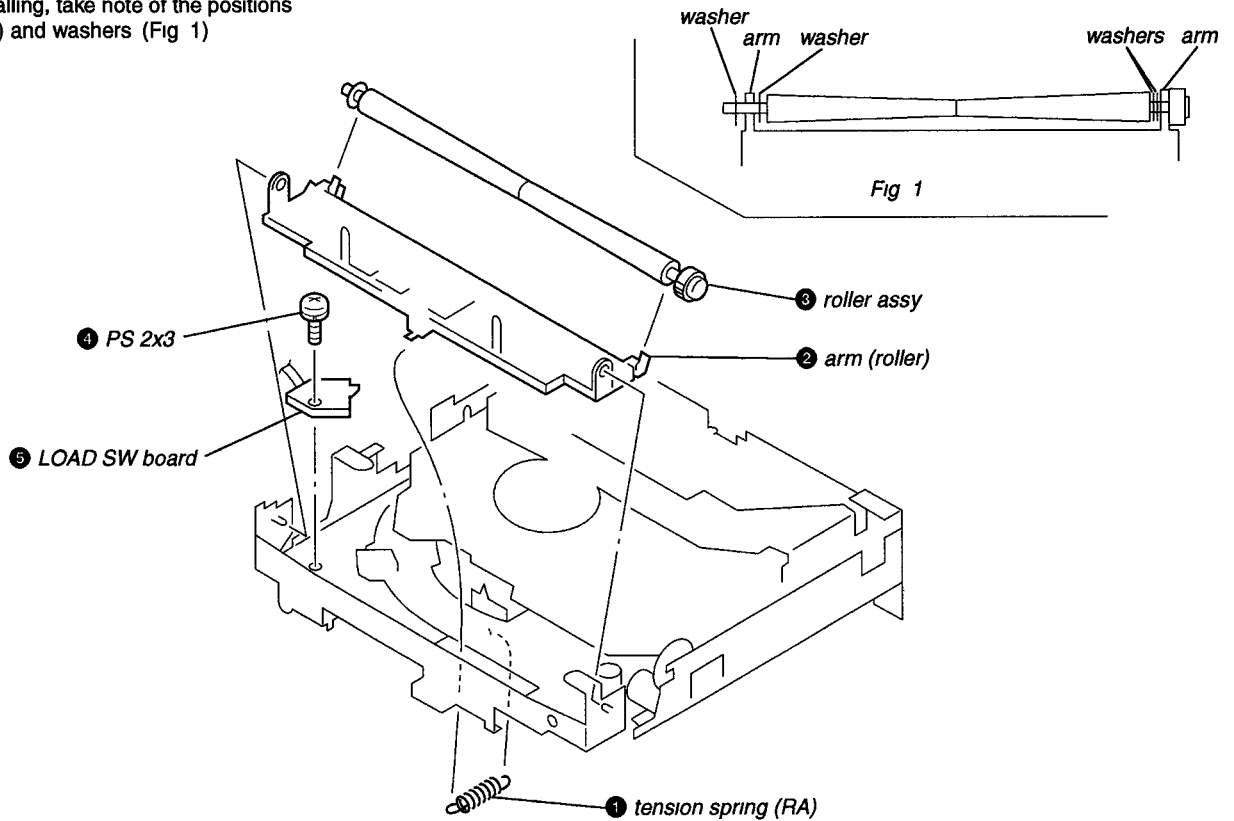


## 2-9. SERVO BOARD

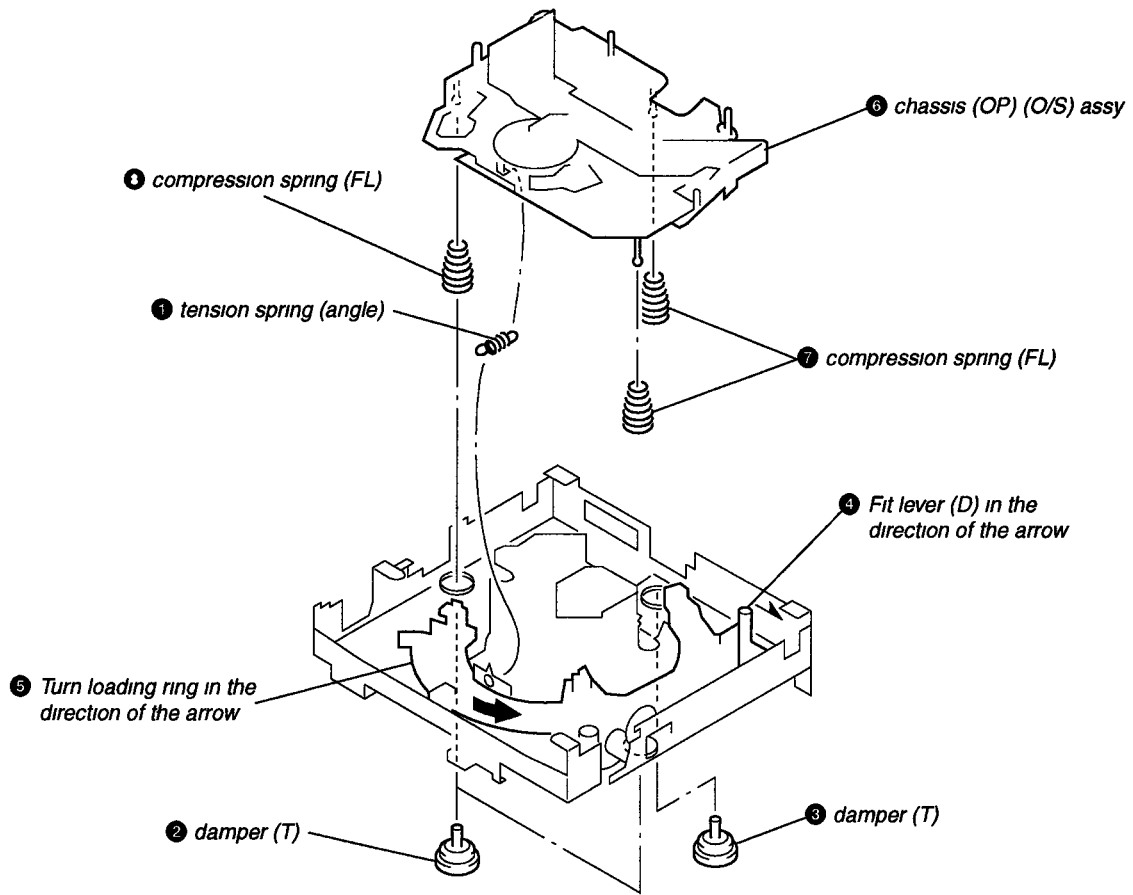


## 2-10. ROLLER ASSY

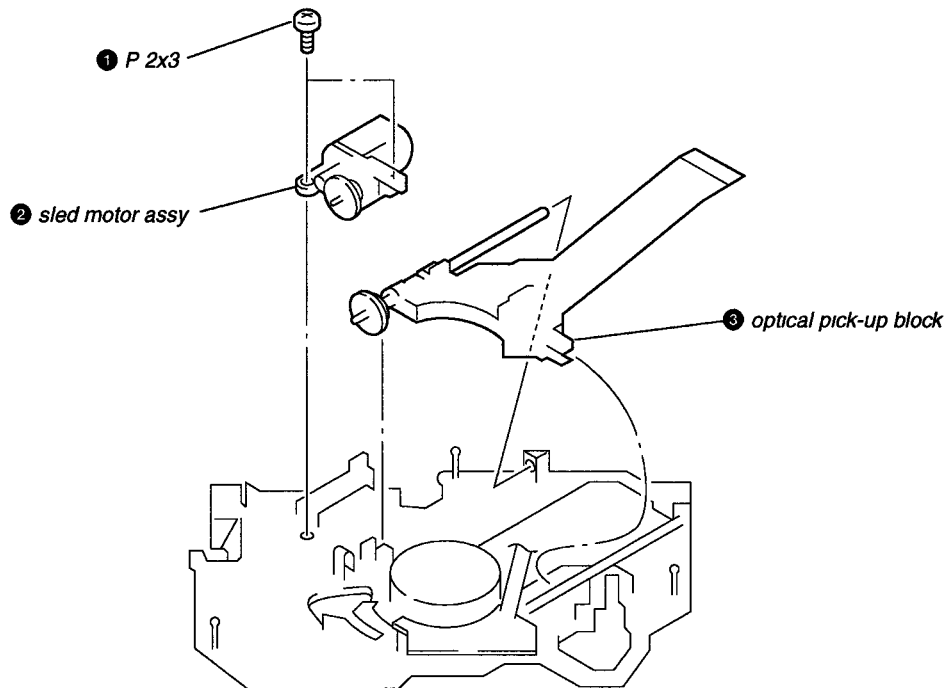
- When installing, take note of the positions arm (roller) and washers (Fig 1)



## 2-11. CHASSIS (OP) (O/S) ASSY



## 2-12 OPTICAL PICK-UP BLOCK



# SECTION 3 ELECTRICAL ADJUSTMENTS

## CD SECTION

CD section adjustments are done automatically in this set

## TUNER SECTION

**0 dB = 1  $\mu$ V**

### Cautions during repair

When the tuner unit is defective, replace it by a new one because its internal block is difficult to repair

### TEST MODE

This set have the test mode function. In the test mode, FM Auto Scan/Stop Level and AM (MW) Auto Scan/Stop Level adjustments can be performed easier than it in ordinary procedure

<Set the Test Mode>

- 1 Set the "OFF" mode
- 2 Push the preset **[4]** button
- 3 Push the preset **[5]** button
- 4 Press the preset **[1]** button for more than two seconds
- 5 Then the display indicates all lights, the test mode is set

<Release the Test Mode>

- 1 Push the **[OFF]** button

### Note on Adjustment

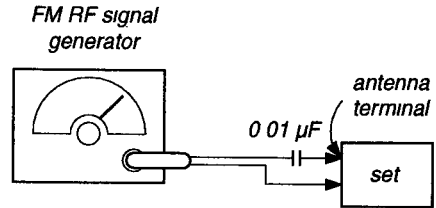
The adjustments of tuner section, should be performed according to the following sequence

- 1 FM Auto Scan/Stop Level Adjustment
- 2 FM Stereo Separation Adjustment
- 3 FM RDS S-Meter Adjustment (CDX-C760RDS only)
- 4 AM (MW) Auto Scan/Stop Level Adjustment

### FM Auto Scan/Stop Level Adjustment

Setting

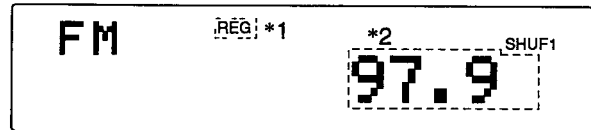
SOURCE button FM



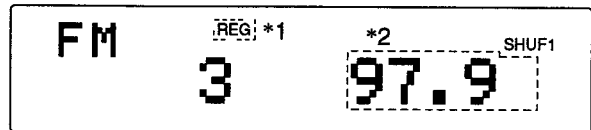
Carrier frequency 97.9 MHz (C760)  
98.00 MHz (C760RDS)  
Output level 22 dB (12.6  $\mu$ V)  
Mode mono  
Modulation 1 kHz, 22.5 kHz deviation (30%)

### Procedure

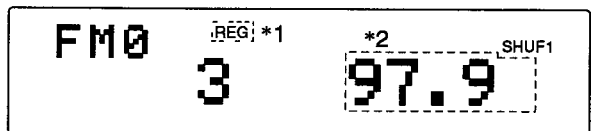
- 1 Set to the test mode
- 2 Push the **[SOURCE]** button and set to FM  
Display



- 3 Push the preset **[3]** button  
Display



- 4 Adjust with the volume RV2 on TU1 so that the "FM" indication turns to "FM0" indication on the display window. But, in case of already indicated "FM0", turn the RV2 so that put out light "0" indication and adjustment  
Display



\*1 "REG" is displayed only for CDX-C760RDS

\*2 CDX-C760RDS has the "98.00" displayed

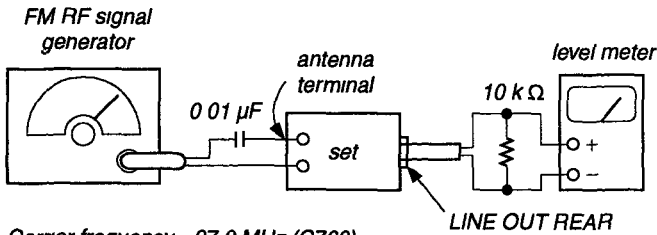
Adjustment Location See page 26



### FM Stereo Separation Adjustment

#### Setting

SOURCE button FM



Carrier frequency 97.9 MHz (C760)  
98.00 MHz (C760RDS)  
Output level 70 dB (3.2 mV)  
Mode stereo  
Modulation main 1 kHz, 33.75 kHz deviation (45%) (C760)  
1 kHz, 20 kHz deviation (26.5%) (C760RDS)  
sub 1 kHz, 33.75 kHz deviation (45%) (C760)  
1 kHz, 20 kHz deviation (26.5%) (C760RDS)  
19 kHz pilot 7.5 kHz deviation (10%)

#### Procedure

FM stereo signal generator output channel	Level meter connection	Level meter reading (dB)
L-CH	L-CH	Ⓐ
R-CH	L-CH	Ⓑ Adjust RV4 on TU1 for minimum reading
R-CH	R-CH	Ⓒ
L-CH	R-CH	Ⓓ Adjust RV4 on TU1 for minimum reading

L-CH stereo separation Ⓐ - Ⓑ

R-CH stereo separation Ⓒ - Ⓓ

The separations of both channels should be equal

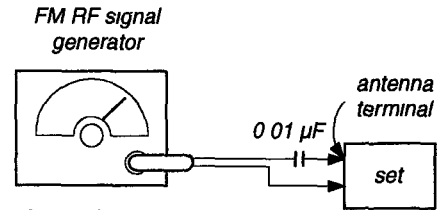
**Specification** Separation more than 28 dB

**Adjustment Location** See page 26

### FM RDS S-Meter Adjustment (CDX-C760RDS only)

#### Setting

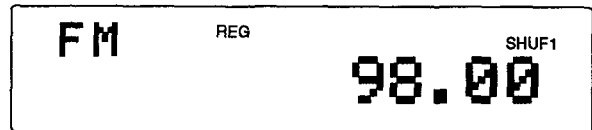
SOURCE button FM



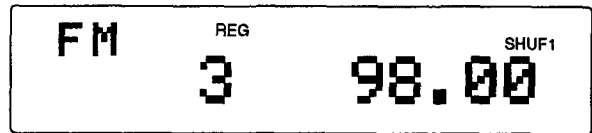
Carrier frequency 98.00 MHz  
Output level 35 dB (56.2 μV)  
Mode mono  
Modulation no modulation

#### Procedure

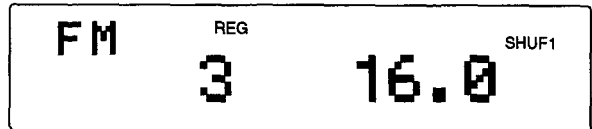
- 1 Set to the test mode (See page 24)
- 2 Push the **[SOURCE]** button and set to FM  
Display



- 3 Push the preset **[3]** button  
Display



- 4 Push the preset **[10]** button
- 5 Adjust RV651 so that the display indication is "16.0"  
Display



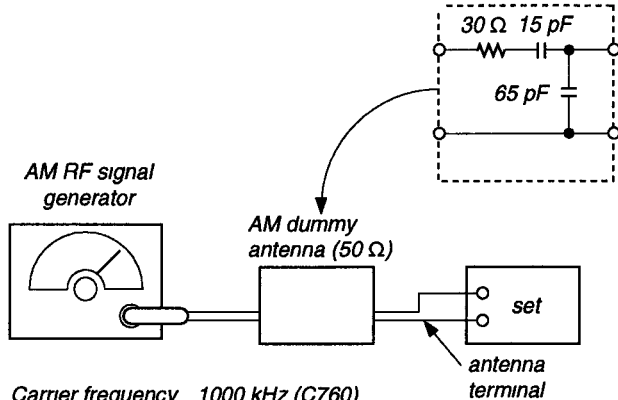
**Specification** Display indication 15.8 to 16.2

**Adjustment Location** • See page 26

## AM (MW) Auto Scan/Stop Level Adjustment

### Setting

SOURCE → MODE button AM (C760)  
MW (C760RDS)

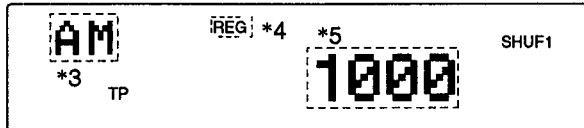


Carrier frequency 1000 kHz (C760)  
999 kHz (C760RDS)

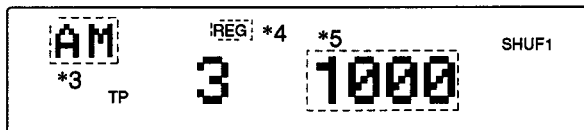
30% amplitude modulation by  
1 kHz signal  
output level 33 dB (44.7 μV)

### Procedure

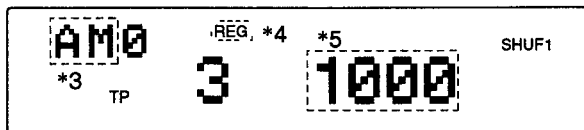
- 1 Set to the test mode (See page 24)
- 2 Push the **SOURCE** button
- 3 Push the **MODE** button and set to AM (C760) or MW (C760RDS)  
Display



- 4 Push the preset **3** button  
Display



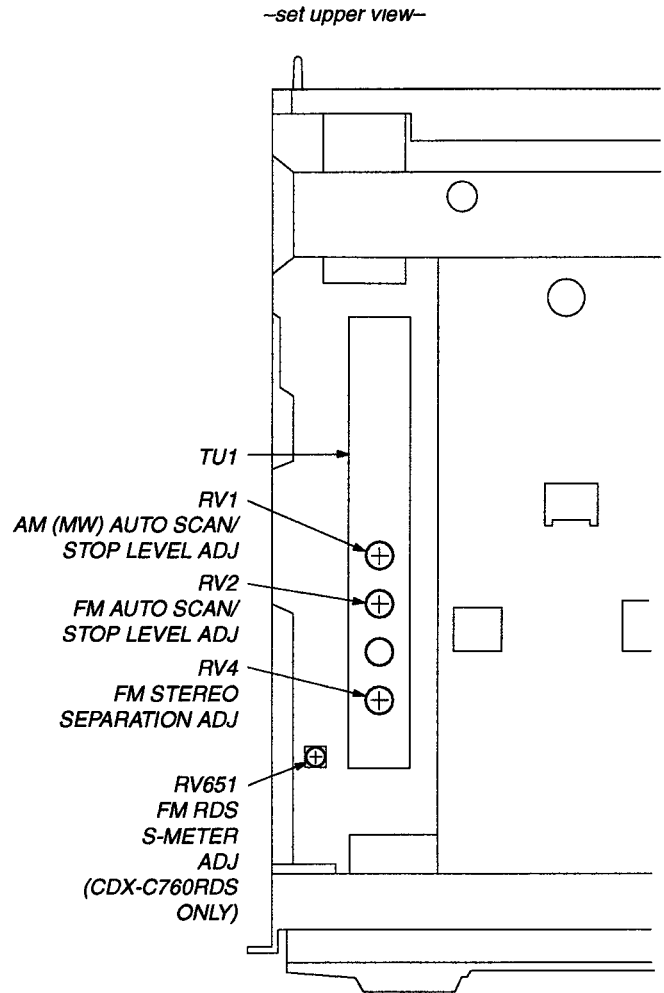
- 5 Adjust with the volume RV1 on TU1 so that the "AM" (C760) or "MW" (C760RDS) indication turns to "AM0" (C760) or "MW0" (C760RDS) indication on the display window  
But, in case of already indicated "AM0" (C760) or "MW0" (C760RDS), turn the RV1 so that put out light "0" indication and adjustment  
Display



- \*3 CDX-C760RDS has the "MW" displayed
- \*4 "REG" is displayed only for CDX-C760RDS
- \*5 CDX-C760RDS has the "999" displayed

Adjustment Location tuner unit (TU1)

Adjustment Location tuner unit (TU1)



## SECTION 4 DIAGRAMS

### 4-1. IC PIN DESCRIPTIONS

#### • IC501 CXD2548R (DIGITAL SERVO, DIGITAL SIGNAL PROCESSOR)

Pin No	Pin Name	I/O	Pin Description
1	SYSM	I	System mute input (Not used )
2	RMUT1	O	R-ch, "0" detection output ("H" ON, "L" OFF) (Not used )
3	LMUT2	O	L-ch, "0" detection output ("H" ON, "L" OFF) (Not used )
4	CKOUT	O	Master clock frequency division output (Not used )
5	VDD0	—	Digital power supply
6	SBSO	O	Serial output of sub-P to W
7	EXCK	I	Clock input for SBSO read output
8	SQCK	I	Clock input for SQSO read output
9	SQSO	O	SubQ 80 bit, PCM peak and level data 16 bit output
10	SENS	O	SENS output Output to CPU
11	SCLK	I	Clock input for SENS real data read
12	DATA	I	Serial data input from CPU
13	XLAT	I	Latch input from CPU Latch serial data at the falling edge
14	CLOK	I	Serial data transfer clock input from CPU
15	XRST	I	System reset ("L" Reset)
16	ACDT	O	Not used
17	PWM1	I	External control input of spindle motor
18	XLON	O	Microcomputer extension interface (Output) (Not used )
19	SPOA	I	Microcomputer extension interface (Input A) (Not used )
20	WFCK	O	WFCK (Write Flame Clock) output
21	GTOP	O	GTOP output
22	XUGF	O	XUGF output (Not used )
23	XPCK	O	XPLCK output (Not used )
24	GFS	O	GFS output
25	RFCK	O	RFCK output
26	C2PO	O	C2PO output (Not used )
27	XROF	O	XROF output
28	SCOR	O	H" output at either detection, sub code sync S0 or S1
29	MNT0	O	MNT0 output (Not used )
30	MNT1	O	MNT1 output (Not used )
31	MNT3	O	MNT3 output (Not used )
32	VSS1	—	Digital GND
33	DOUT	O	Digital-Out output
34	ATSK	I	For anti-shock
35	MIRR	O	Mirror signal output (Not used )
36	DFCT	O	Diffect signal output (Not used )
37	FOK	O	Focus OK signal output
38	VDD1	—	Digital power supply
39	VPCO1	O	Charge pump output for wideband EFM PLL
40	VPCO2	O	VCO2 charge pump output for wideband EFM PLL
41	VCK I	I	VCO2 oscillator input for wideband EFM PLL
42	V16M	O	VCO2 oscillator output for wideband EFM PLL
43	VCTL	I	VCO2 control input for wideband EFM PLL
44	PCO	O	Charge pump output for master PLL
45	FILO	O	Filter output for master PLL (slave = digital PLL)
46	FILI	I	Filter input for master PLL

Pin No	Pin Name	I/O	Pin Description
47	AVSS4	—	Analog GND
48	CLTV	I	VCO control voltage input for master
49	AVDD4	—	Analog power supply
50	RFAC	I	EFM signal input
51	BIAS	I	Asymmetry circuit constant current input
52	ASYI	I	Asymmetry compare voltage input
53	ASYO	O	EFM full-swing output ("L" VSS, "H" VDD)
54	VC	I	Center voltage input
55	FE	I	Focus error signal input
56	SE	I	Sled error signal input
57	TE	I	Tracking error signal input
58	CE	I	Center error signal input
59	RFDC	I	RF signal input
60	RFC	I	Condenser connection pin for LPF time constant of RF signal
61	ADIO	O	OP amplifier output (Not used )
62	AVSS3	—	Analog GND
63	IGEN	I	Current source reference resistor connection for OP amplifier
64	AVDD3	—	Analog power supply
65, 66	TES2, 3	I	TEST pin (Fixed at "L" )
67	VSS2	—	Digital GND
68	TEST	I	TEST pin (Fixed at "L" )
69	SFDR	O	Sled drive output
70	SRDR	O	Sled drive output
71	TFDR	O	Tracking drive output
72	TRDR	O	Tracking drive output
73	FFDR	O	Focus drive output
74	FRDR	O	Focus drive output
75	VDD2	—	Digital power supply
76	COUT	O	Track number count signal output (Not used )
77	LOCK	O	Not used
78	MDS	O	Servo control output of spindle motor (Not used )
79	MDP	O	Servo control output of spindle motor
80	SSTP	I	Disc most inner track detection signal input
81	FSTO	O	2/3 frequency division output of pins 103 and 104
82	FSTI	I	Reference clock input for digital servo
83	XTSL	I	X'tal select input ("L" 16 9344 MHz)
84	C4M	O	4 2336 MHz output
85	WDCK	O	D/A interface Word clock $f = 2F_s$
86	VDD3	—	Digital power supply
87	LRCK	O	D/A interface LR clock $f = F_s$
88	LRCKI	I	LR clock input to DAC (48 bit slot) (Not used )
89	PCMD	O	D/A interface Serial data (2's COMP, MSB first)
90	PCMDI	I	Audio data input to DAC (48 bit slot) (Not used )
91	BCK	O	D/A interface Bit clock
92	BCKI	I	Bit clock input to DAC (48 bit slot) (Not used )
93	EMPH	O	Not used
94	EMPHI	I	De-emphasis ON/OFF of DAC ("H" ON, "L" OFF) (Not used )

Pin No	Pin Name	I/O	Pin Description
95	VSS3	—	Digital GND
96	AVSS1	—	L-ch, Analog GND
97	AVDD1	—	L-ch, Analog power supply
98	AOUT1	O	L-ch, Analog output (Not used )
99	AIN1	I	L-ch, OP amplifier input (Not used )
100	LOUT1	O	L-ch, LINE output (Not used )
101	AVSS1	—	L-ch, Analog GND
102	XVDD	—	Analog power supply for master clock
103	XTAI	I	X'tal oscillator input of master clock (16 9344 MHz)
104	XTAO	O	X'tal oscillator output of master clock (Not used )
105	XVSS	—	Analog GND for master clock (Not used )
106	AVSS2	—	R-ch, Analog GND
107	ROUT2	O	R-ch, LINE output (Not used )
108	AIN2	I	R-ch, OP amplifier input (Not used )
109	AOUT2	O	R-ch, Analog output (Not used )
110	AVDD2	—	R-ch, Analog power supply
111	AVSS2	—	R-ch, Analog GND
112	VSS0	—	Digital GND

- IC601 MN1883220Y5A (C760 . MAIN BOARD) (TUNER SYSTEM CONTROL)
- IC601 MN1883220Y5C (C760RDS MAIN BOARD) (TUNER SYSTEM CONTROL)

Pin No	Pin Name	I/O	Pin Description
1 – 6	NCO	—	Not used
7	VDD	—	Power supply pin
8	X1	I	Ceramic oscillator connection input pin (8 MHz)
9	X2	O	Ceramic oscillator connection output pin (8 MHz)
10	GND	—	GND
11	XTI	I	Connect to GND
12	XTO	O	Not used
13	X0	—	Connect to GND
14	RESET	I	Reset input pin
15	RDS-CLK	I	RDS clock input pin (C760RDS)
16	BU-CHECK	I	Back-up detection input pin
17	BUS-ON-IN	I	Bus interface bus on input pin
18 – 29	NCO	—	Not used
30	RDS-DATA	I	RDS data input pin (C760RDS)
31	NIL	I	Fixed at “L”
32	AM-ST-IN	I/O	AM STEREO indicator input/output pin Fixed at “L”
33 – 35	NCO	—	Not used
36, 37	NIL	I	Connect to GND
38	DI	I	PLL data input pin
39	DO	O	PLL data output pin
40	CLK	O	PLL clock output pin
41	CE	O	PLL chip enable output pin
42	RQ	O	Bus interface request output pin
43	LINK-OFF	O	Bus interface lmk output pin
44	SCK	I	Bus interface serial clock-in input pin
45	SI	I	Bus interface serial data-in input pin
46	SO	I/O	Bus interface serial data-out input/output pin
47	VDD	—	Power supply pin
48	AVDD	—	Power supply pin for A/D conversion input
49	VREF	—	Reference voltage input pin for A/D conversion input (+ side)
50	—	I	Fixed at “L” (C760)
51	—	I	Fixed at “H” (C760)
52	SRAM-RST	I	RAM reset detection input pin (C760)
53	MUTE-SEL	I	Mute operation select pin Fixed at “H” (C760), “L” (C760RDS)
54	DSTSEL1	I	Destination select setting pin Fixed at “L”
55	DSTSEL0	I	Destination select setting pin Fixed at “H” (C760), “L” (C760RDS)
56	AM-VSM	I	AM S-meter voltage detection input pin
57	FM-VSM	I	FM S-meter voltage detection input pin
58	VREF	—	Reference voltage input pin for A/D conversion input (- side)
59	—	—	GND for A/D conversion input
60	VSS	—	GND
61	TU-ON	O	TUNER-ON output pin
62	LO/DX	O	DX/LOCAL output pin Fixed at “L” DX
63	SEEK-OUT	O	SEEK OUT output pin
64	AM-ON	O	AM-ON output pin
65	FM-ON	O	FM-ON output pin

Pin No	Pin Name	I/O	Pin Description
66	TUNER-MUTE	O	MUTE output pin
67	AF-SEEK	I	Not used
68	SRAM	I	Fixed at "L"
69	A15	—	Not used
70	ST	I/O	ST indicator input/MONO output
71	SD-IN	I	Signal detector input pin
72 – 80	NCO	—	Not used

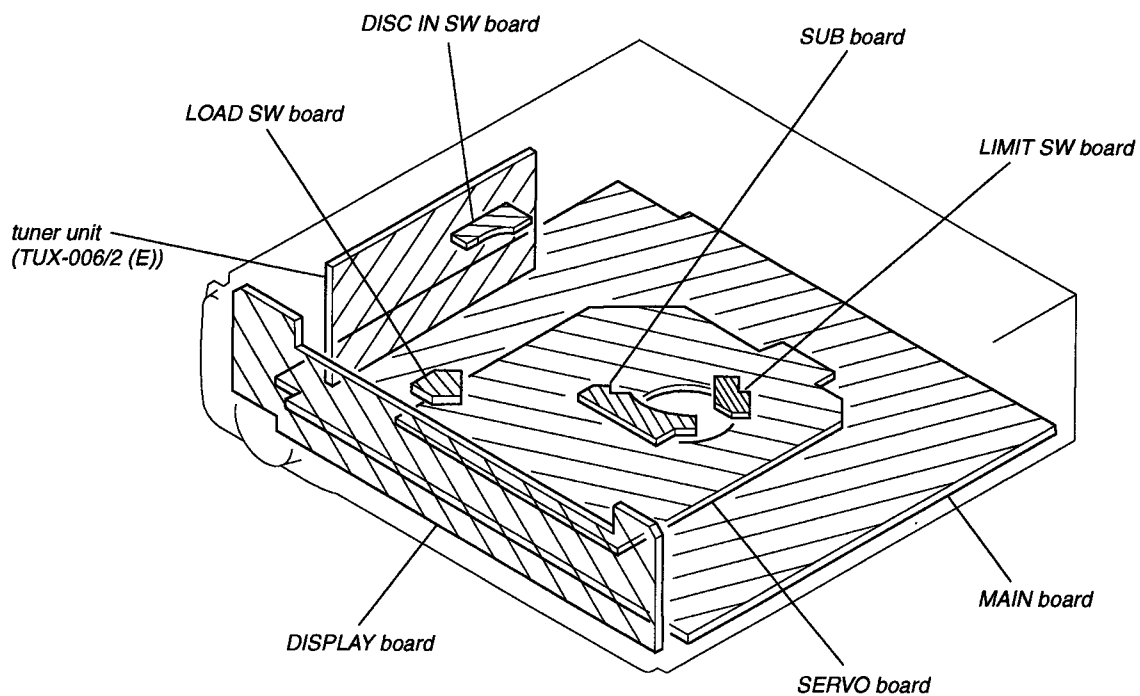
• IC701  $\mu$ PD78058GC-453-3B9 (MAIN SYSTEM CONTROL)

Pin No	Pin Name	I/O	Pin Description
1	RE-IN1	I	Rotary encoder (VOLUME) input
2, 3	NIL	I	Connect to GND
4	AVSS	—	GND for A/D conversion
5	LCDANG	O	Output for LCD view angle adjustment
6	NIL	I	Connect to GND
7	AVREF	—	Reference voltage for D/A conversion
8 – 11	NIL	I	Connect to GND
12	LCDSO	O	LCD serial data output
13	LCDCO	O	LCD serial clock output
14	LCDCE	O	LCD serial chip enable output
15	NIL	I	Connect to GND
16	UNISI	I	Serial data input
17	UNISO	O	Serial data output
18	UNICKI	I	Serial clock input
19	UNICKO	O	Serial clock output
20	BUSON	O	BUS ON control output
21	LCD-ON	O	LCD driver power control output
22	PW-ON	O	System power control output
23	LAMP-ON	O	Lamp power control output
24	AMP-STBY	O	Power amplifier standby control output
25	BST-ON	O	Power amplifier boost control output
26	NCO	—	Not used
27	SYRST	O	System reset control output
28	NIL	I	Connect to GND
29	VOLSO	O	Electric volume serial data output
30	VOLCKO	O	Electric volume serial clock output
31	VOLCE	O	Electric volume serial chip enable output
32	ILL-IN	I	Illuminator detection input
33	VSS	—	GND for microcomputer
34	CD-TEXT	I	CD TEXT correspondence with/without setting Connect to GND
35	DSPSEL	I	Initial setting input Fixed at "L" (C760), "H" (C760RDS)
36	TELMUT	I	Telephone mute detection input
37	TEST	I	TEST mode direct setting
38	PW-SEL	I	Power select initial setting
39	NOSESW	I	Detachable panel detection
40	A-MUT	O	Audio mute control output
41	AMPMUT	O	Power amplifier mute control output
42	AD-ON	O	Power control output for A/D conversion
43 – 45	NIL	I	Connect to GND
46	BEEP	O	Buzzer control output
47 – 55	NIL	I	Connect to GND
56	ACCIN	I	Accessory power voltage detection input
57	EQ-SEL	I	Equalizer connection with/without initial setting
58, 59	NIL	I	Connect to GND
60	RESET	I	Reset input
61	SIRCS	I	Remote commander input



Pin No	Pin Name	I/O	Pin Description
62	BU-IN	I	Back-up power detection input
63	KEYACK	I	Key input acknowledge (WAKE UP)
64 – 66	NIL	I	Connect to GND
67	TIMPOL	I	Time poling with/without setting input Connect to GND
68	VDD	—	Power supply for microcomputer
69	XOUT	O	Main crystal oscillator output pin (5 MHz)
70	XIN	I	Main crystal oscillator input pin (5 MHz)
71	GND	—	GND for microcomputer
72	XT2	O	Sub crystal oscillator output pin (32 768 kHz)
73	XT1	I	Sub crystal oscillator input pin (32 768 kHz)
74	AVDD	—	Power supply for A/D conversion
75	AVREF	—	Reference power supply for A/D conversion
76, 77	KEYIN0, 1	I	Key input
78, 79	RC-IN1, 2	I	Rotary commander input 1, 2
80	RE-IN0	I	Rotary encoder (VOLUME) input

## 4-2. CIRCUIT BOARDS LOCATION



## SECTION 5 EXPLODED VIEWS

**NOTE:**

- The mechanical parts with no reference number in the exploded views are not supplied.
- Items marked "\*" are not stocked since they are seldom required for routine service. Some delay should be anticipated when ordering these items.
- Abbreviation  
G : German model

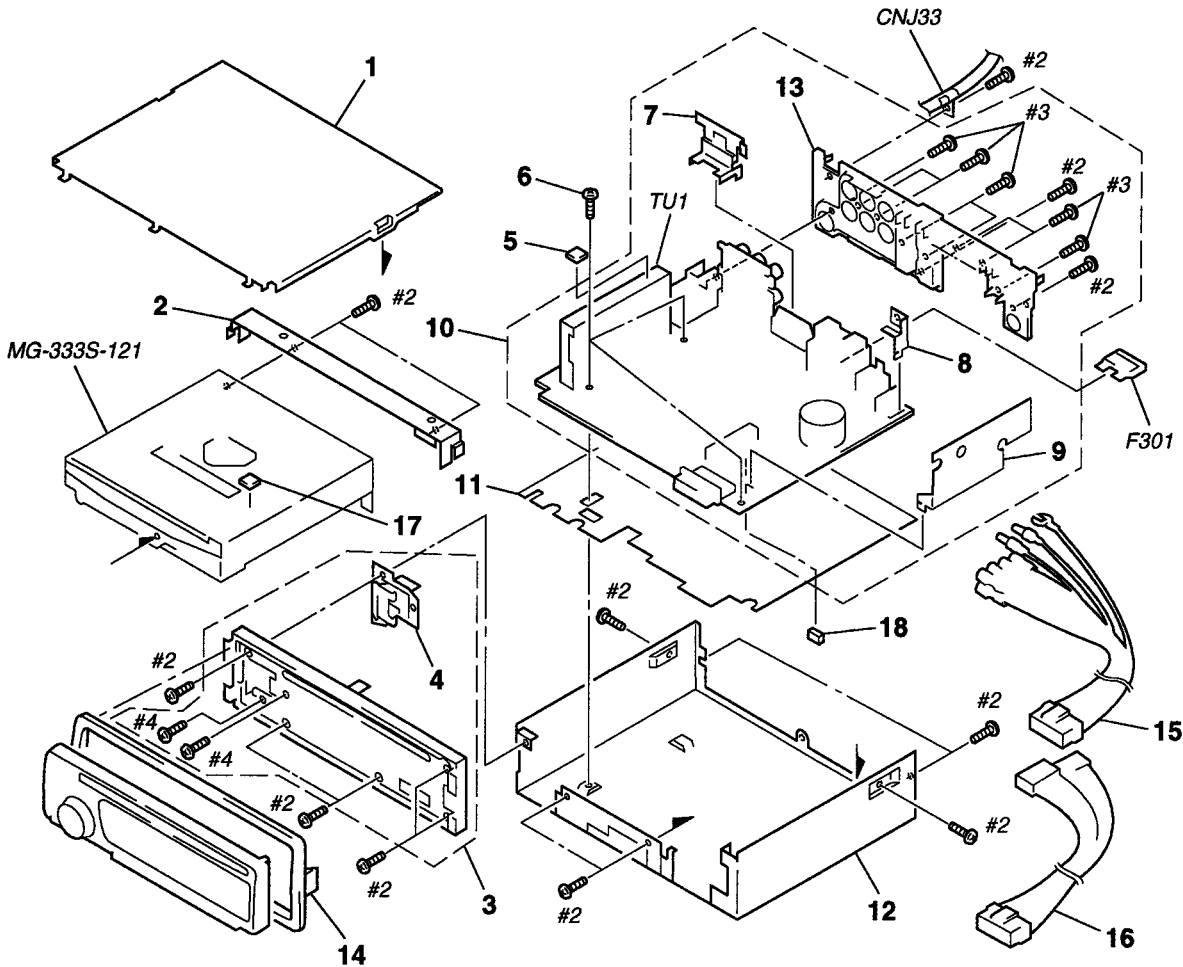
- -XX and -X mean standardized parts, so they may have some difference from the original one.
- Color Indication of Appearance Parts

Example :  
KNOB, BALANCE (WHITE) . . (RED)  
                  ↑                  ↑  
                  Parts Color Cabinet's Color

- Hardware (# mark) list and accessories and packing materials are given in the last of this parts list.

The components identified by mark  $\Delta$  or dotted line with mark  $\Delta$  are critical for safety. Replace only with part number specified.

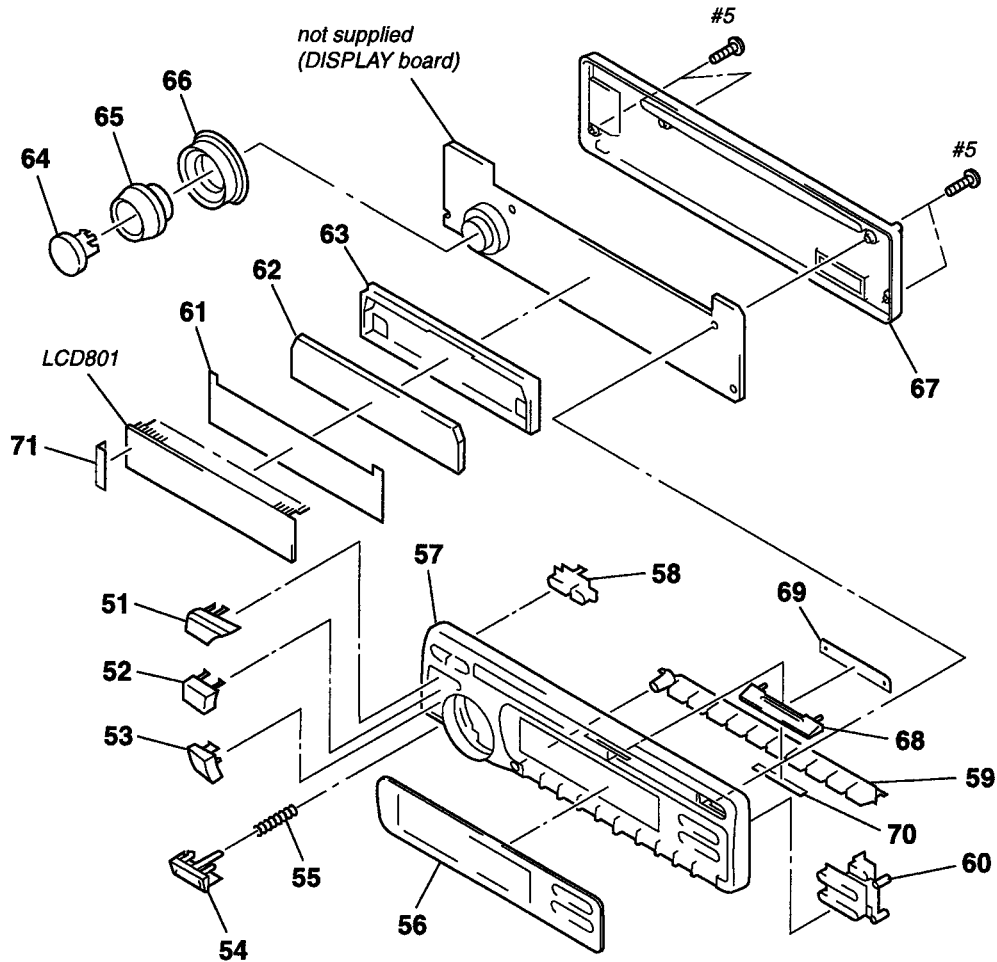
### 5-1. CHASSIS SECTION



Ref No.	Part No.	Description	Remark
* 1	X-3372-975-1	COVER ASSY	
* 2	3-008-664-01	BRACKET (MD)	
3	X-3372-974-1	PANEL ASSY, SUB	
4	X-3370-437-1	LOCK ASSY	
* 5	3-924-145-01	CUSHION (TU), RUBBER	
6	3-915-923-01	SCREW, GROUND POINT	
* 7	3-008-665-01	BRACKET (IC)	
* 8	3-010-436-01	BRACKET (H)	
* 9	3-014-349-01	HEAT SINK (REG 3)	
* 10	A-3294-250-A	MAIN BOARD, COMPLETE (AEP,JK)	
* 10	A-3294-253-A	MAIN BOARD, COMPLETE (C760)	
* 10	A-3294-268-A	MAIN BOARD, COMPLETE (G)	
* 11	3-010-437-01	SHEET, INSULATING	

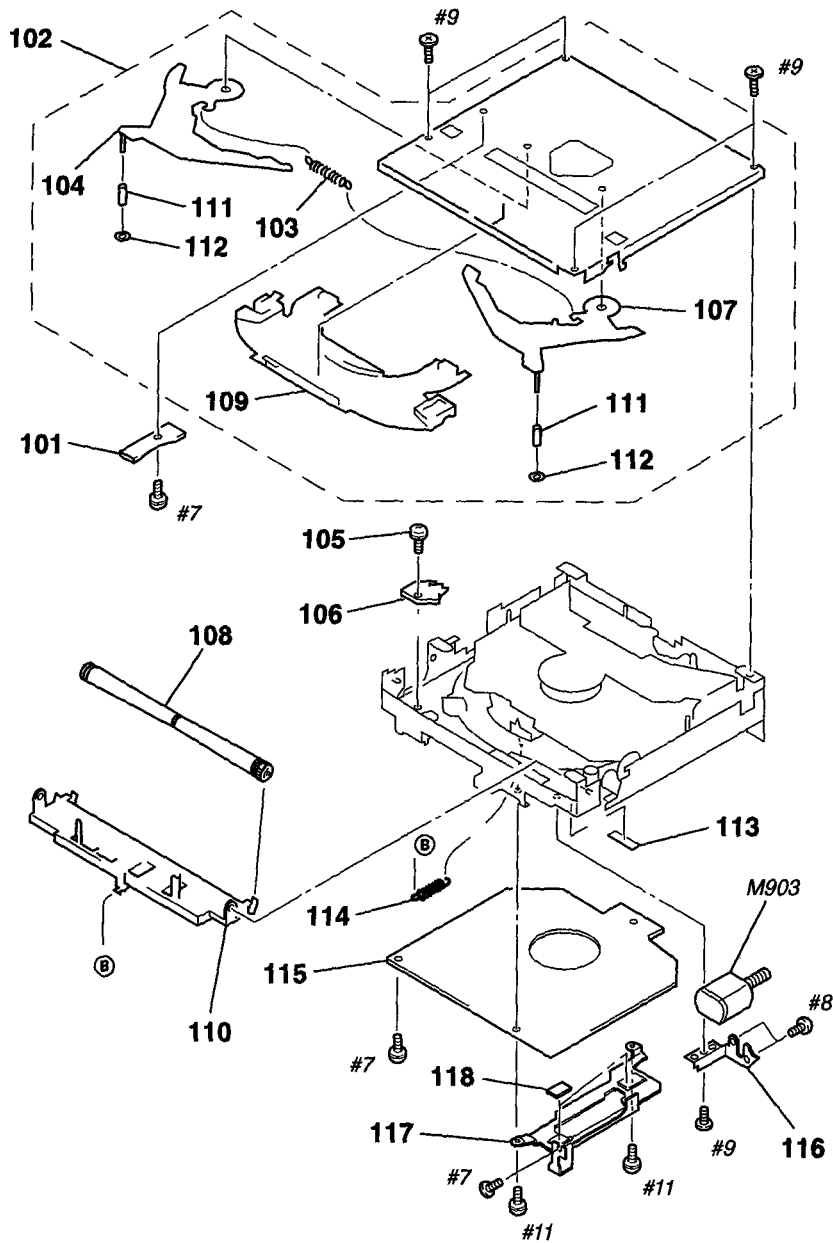
Ref No.	Part No.	Description	Remark
* 12	3-009-810-21	CHASSIS	
* 13	3-008-663-01	HEAT SINK (C760)	
* 13	3-008-663-11	HEAT SINK (C760RDS)	
14	3-932-910-01	COLLAR (CDX)	
15	1-776-207-11	CORD (WITH CONNECTOR) (POWER) (C760)	
16	1-776-527-41	CORD (WITH CONNECTOR) (ISO) (POWER) (C760RDS)	
17	2-389-320-01	RUBBER (A)	
18	3-342-925-01	CUSHION, RUBBER	
CNJ33	1-751-000-21	CORD (WITH CONNECTOR) (EQ OUT) (C760)	
F301	1-532-877-11	FUSE (BLADE TYPE) (AUTO FUSE) 10A	
TU1	A-3282-029-A	TUNER UNIT (TUX-006/2) (E)	

## 5-2. FRONT PANEL SECTION



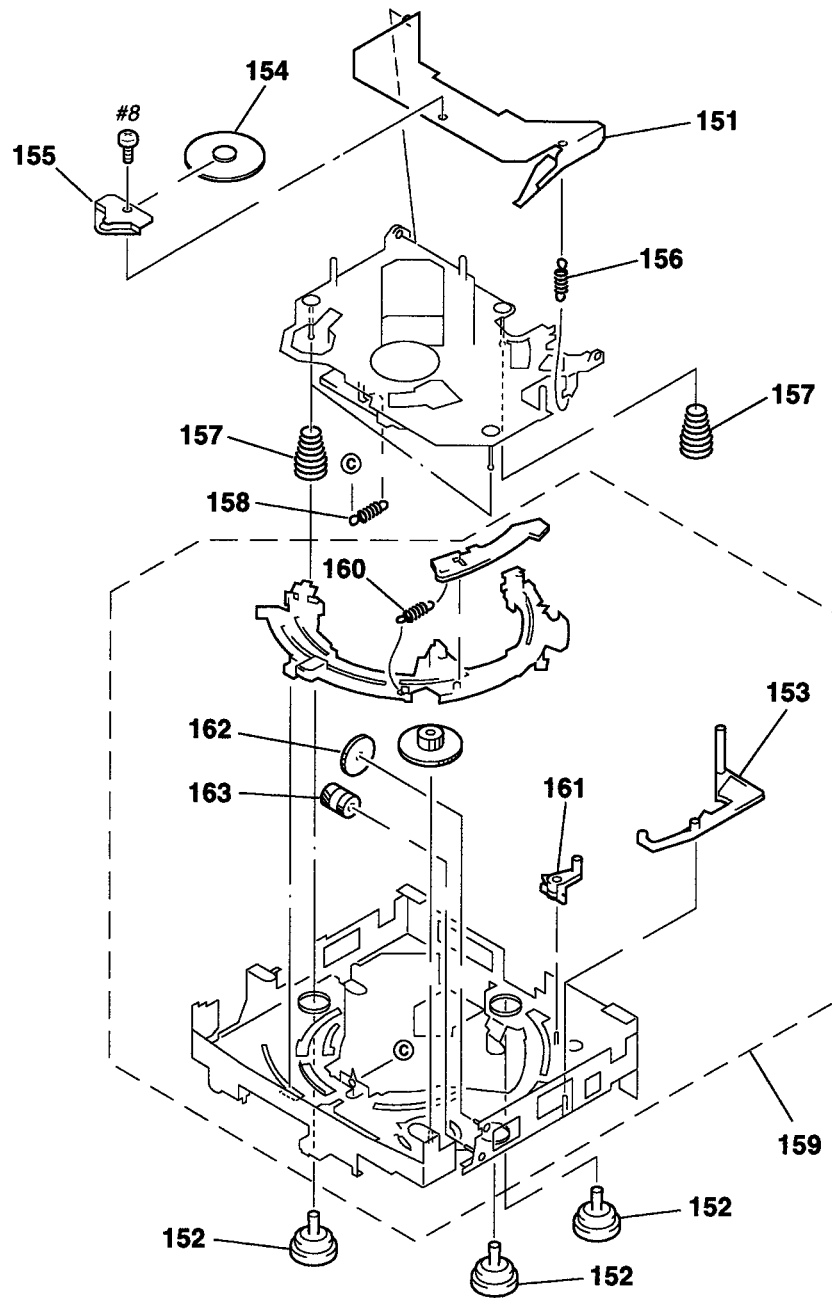
<u>Ref. No.</u>	<u>Part No.</u>	<u>Description</u>	<u>Remark</u>	<u>Ref. No.</u>	<u>Part No.</u>	<u>Description</u>	<u>Remark</u>
51	3-010-432-01	BUTTON (+)		* 61	3-009-268-01	SHEET, DIFFUSION	
52	3-010-433-01	BUTTON (MODE)		* 62	3-010-426-01	PLATE (LCD), LIGHT GUIDE	
53	3-010-434-01	BUTTON (-)		* 63	3-010-427-01	HOLDER (LCD)	
54	3-010-431-01	BUTTON (RELEASE)		64	X-3373-271-1	BUTTON (SOURCE) ASSY	
55	3-008-667-01	SPRING (RELEASE)		65	3-010-713-01	KNOB	
56	X-3373-316-1	WINDOW ASSY (C760)		66	3-010-714-01	PLATE (RING), LIGHT GUIDE	
56	X-3373-320-1	WINDOW ASSY (C760RDS)		67	3-010-435-01	PANEL, BACK	
57	X-3372-977-1	PANEL ASSY, FRONT (C760)		68	3-932-889-01	PLATE (F), LIGHT GUIDE	
57	X-3372-980-1	PANEL ASSY, FRONT (C760RDS)		69	3-932-898-01	SHEET (F)	
58	3-010-430-01	BUTTON (SOUND)		* 70	3-013-531-01	SHEET (CD)	
59	3-932-892-01	BUTTON (10 KEY)		* 71	3-014-992-01	SHEET (L)	
60	3-008-660-11	BUTTON (EJECT) (C760)		LCD801	1-801-660-11	DISPLAY PANEL, LIQUID CRYSTAL	
60	3-008-660-21	BUTTON (EJECT) (C760RDS)					

**5-3. CD MECHANISM SECTION (1)**  
**(MG-333S-121)**



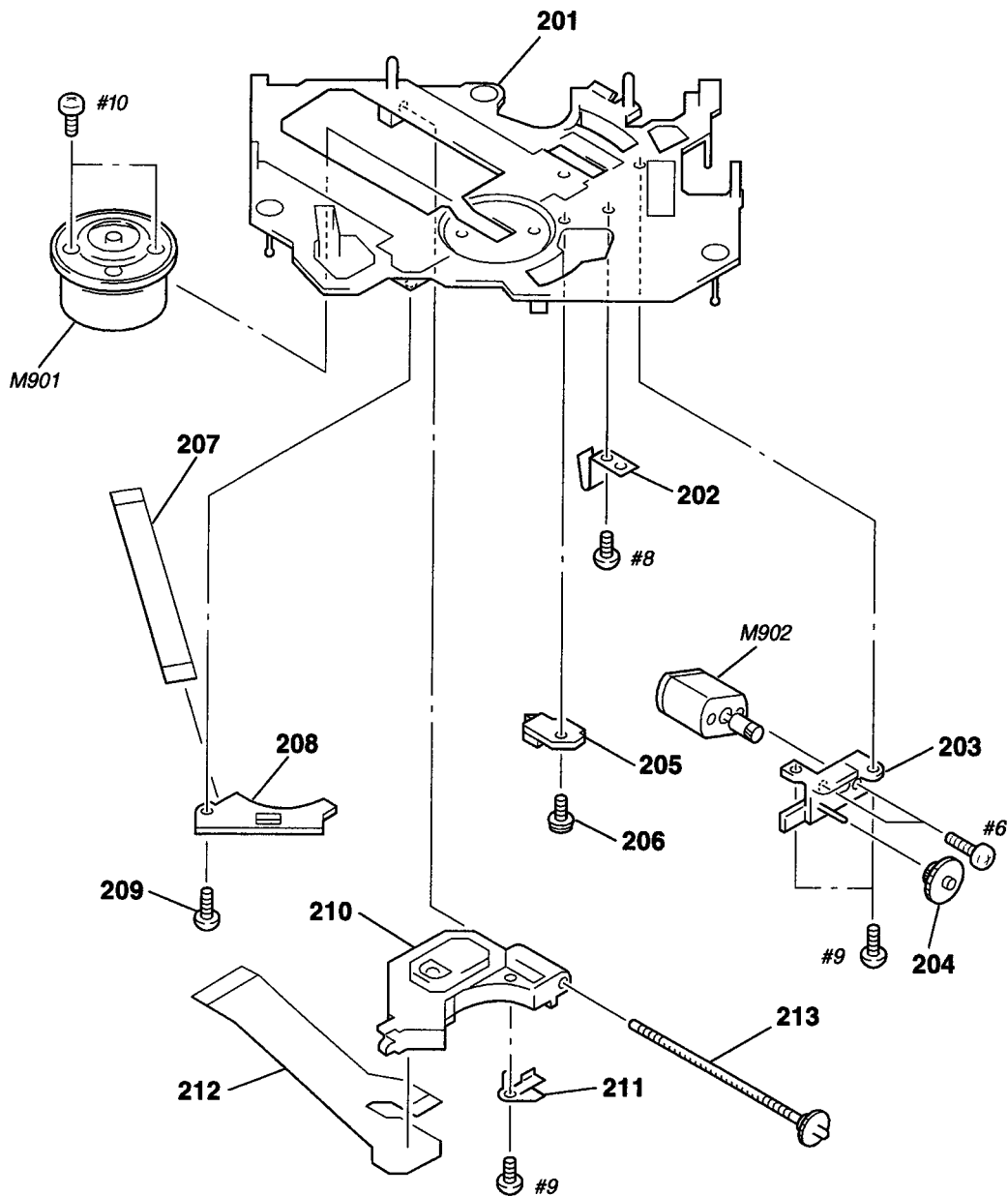
<u>Ref. No.</u>	<u>Part No.</u>	<u>Description</u>	<u>Remark</u>	<u>Ref. No.</u>	<u>Part No.</u>	<u>Description</u>	<u>Remark</u>
* 101	1-659-836-11	DISC IN SW BOARD		111	3-936-756-01	ROLLER (D)	
* 102	A-3291-816-A	CHASSIS (T) SUB ASSY		112	3-321-393-01	WASHER, STOPPER	
103	3-931-909-01	SPRING (L.R), TENSION		* 113	3-939-139-01	SPACER	
104	X-3371-501-1	LEVER (L) ASSY		114	3-931-916-01	SPRING (RA), TENSION	
105	3-338-737-01	SCREW (2X3), + PS		* 115	A-3309-692-A	SERVO BOARD, COMPLETE	
* 106	1-659-837-11	LOAD SW BOARD		* 116	3-007-530-01	BRACKET (MOTOR)	
107	X-3371-502-1	LEVER (R) ASSY		* 117	3-013-387-01	HEAT SINK	
108	A-3291-672-A	ROLLER ASSY		* 118	3-014-262-01	SHEET (HEAT SINK)	
109	3-931-908-01	GUIDE (DISC)		M903	A-3291-676-A	MOTOR SUB ASSY, LOADING	
110	3-931-902-01	ARM (ROLLER)					

**5-4. CD MECHANISM SECTION (2)**  
**(MG-333S-121)**



<u>Ref No</u>	<u>Part No.</u>	<u>Description</u>	<u>Remark</u>	<u>Ref No.</u>	<u>Part No.</u>	<u>Description</u>	<u>Remark</u>
151	3-931-893-01	ARM, CHUCKING		158	3-931-914-01	SPRING (ANGLE), TENSION	
152	3-931-897-01	DAMPER (T)		* 159	A-3291-677-A	CHASSIS (M) ASSY, COMPLETE	
153	3-931-879-02	LEVER (D)		160	3-931-883-01	SPRING (TR), TENSION	
* 154	3-913-404-11	RETAINER (DISC)		161	3-931-881-01	LEVER (LOCK)	
155	3-931-894-01	BRACKET (CP)		162	3-931-882-02	GEAR (NL)	
156	3-931-895-01	SPRING (CH), TENSION		163	3-007-537-01	WHEEL (U), WORM	
157	3-931-898-01	SPRING (FL), COMPRESSION					

**5-5. CD MECHANISM SECTION (3)**  
**(MG-333S-121)**



The components identified by mark  $\Delta$  or dotted line with mark.  $\Delta$  are critical for safety. Replace only with part number specified.

Ref. No.	Part No.	Description	Remark	Ref. No.	Part No.	Description	Remark
* 201	X-3371-503-1	CHASSIS (OP) (O/S) ASSY		209	3-909-607-01	SCREW	
202	3-931-829-01	SPRING (SL), PLATE		$\Delta$ 210	8-848-402-02	PICK-UP, OPTICAL KSS-520A/J2NP	
203	X-3371-504-1	BASE (DRIVING) ASSY		211	3-931-834-01	SPRING (FEED), PLATE	
204	3-931-832-01	GEAR (SL MIDWAY)		212	1-659-881-11	PICK-UP FLEXIBLE BOARD	
* 205	1-659-835-12	LIMIT SW BOARD		213	A-3291-669-A	SHAFT (FEED) ASSY	
206	3-338-737-01	SCREW (2X3), + PS		M901	X-3373-096-1	MOTOR ASSY (SPINDLE)	
207	1-659-880-11	MOTOR FLEXIBLE BOARD		M902	A-3301-107-A	MOTOR ASSY, SLED	
* 208	1-659-834-11	SUB BOARD					

# SECTION 6 ELECTRICAL PARTS LIST

DISC IN SW

DISPLAY

**NOTE**

- Due to standardization, replacements in the parts list may be different from the parts specified in the diagrams or the components used on the set
- -XX and -X mean standardized parts, so they may have some difference from the original one
- RESISTORS  
All resistors are in ohms  
METAL Metal-film resistor  
METAL OXIDE Metal oxide-film resistor  
F nonflammable
- Abbreviation  
G German model

- Items marked “\*” are not stocked since they are seldom required for routine service. Some delay should be anticipated when ordering these items
- SEMICONDUCTORS  
In each case, u  $\mu$ , for example  
uA  $\mu$ A uPA  $\mu$ PA  
uPB  $\mu$ PB uPC  $\mu$ PC uPD  $\mu$ PD
- CAPACITORS  
uF  $\mu$ F
- COILS  
uH  $\mu$ H

The components identified by mark  $\Delta$  or dotted line with mark  $\Delta$  are critical for safety. Replace only with part number specified.

When indicating parts by reference number, please include the board.

<u>Ref No</u>	<u>Part No</u>	<u>Description</u>	<u>Remark</u>
*	1-659-836-11	DISC IN SW BOARD *****	
		< SWITCH >	
	SW1 1-572-288-11	SWITCH, PUSH (DISC IN)	
	SW2 1-572-288-11	SWITCH, PUSH (SELF)	
*****			
		DISPLAY BOARD *****	
	X-3373-271-1	BUTTON (SOURCE) ASSY	
*	3-009-268-01	SHEET, DIFFUSION	
*	3-010-426-01	PLATE (LCD), LIGHT GUIDE	
*	3-010-427-01	HOLDER (LCD)	
	3-010-713-01	KNOB	
	3-010-714-01	PLATE (RING), LIGHT GUIDE	
*	3-014-992-01	SHEET (L)	
		< CAPACITOR >	
	C801 1-163-037-11	CERAMIC CHIP 0 022uF 10% 25V	
	C802 1-164-489-11	CERAMIC CHIP 0 22uF 10% 16V	
	C804 1-164-489-11	CERAMIC CHIP 0 22uF 10% 16V	
	C805 1-164-489-11	CERAMIC CHIP 0 22uF 10% 16V	
	C806 1-164-004-11	CERAMIC CHIP 0 1uF 10% 25V	
		< CONNECTOR >	
	CNP801 1-764-423-11	PIN, CONNECTOR 12P	
		< DIODE >	
	D801 8-719-977-12	DIODE DTZ6 8B	
	D802 8-719-977-12	DIODE DTZ6 8B	
	D803 8-719-977-12	DIODE DTZ6 8B	
	D804 8-719-420-51	DIODE MA729	
	D805 8-719-420-90	DIODE MA8051-M	
	D806 8-719-420-90	DIODE MA8051-M	
	D807 8-719-420-90	DIODE MA8051-M	
	D808 8-719-420-90	DIODE MA8051-M	
		< IC >	
	IC801 8-759-331-68	IC uPD16432AGC-011-9EU	

<u>Ref No</u>	<u>Part No</u>	<u>Description</u>	<u>Remark</u>
IC802	8-749-012-17	IC RS-140-T	
		< LIQUID CRYSTAL DISPLAY >	
LCD801	1-801-660-11	DISPLAY PANEL, LIQUID CRYSTAL	
		< DIODE >	
	LED801 8-719-987-45	LED CL-155Y/PG-CD (SOURCE)	
	LED802 8-719-987-45	LED CL-155Y/PG-CD (SOURCE)	
	LED803 8-719-987-45	LED CL-155Y/PG-CD (SOURCE)	
	LED804 8-719-987-45	LED CL-155Y/PG-CD (SOURCE)	
	LED805 8-719-987-45	LED CL-155Y/PG-CD (SOURCE)	
	LED806 8-719-987-45	LED CL-155Y/PG-CD (SOURCE)	
	LED902 8-719-059-80	LED CL-170TY-CD-T (SOURCE)	
	LED903 8-719-033-14	LED CL-170PG-CD-T (SOURCE)	
		< SWITCH >	
	LSW801 1-762-620-11	SWITCH, KEY BOARD (WITH LED) ( $\blacktriangle$ )	
	LSW802 1-762-620-11	SWITCH, KEY BOARD (WITH LED) (LIST) (C760)	
	LSW802 1-762-620-11	SWITCH, KEY BOARD (WITH LED) (PTY/LIST)	(C760RDS)
	LSW803 1-762-620-11	SWITCH, KEY BOARD (WITH LED) (DSPL)	
	LSW804 1-762-620-11	SWITCH, KEY BOARD (WITH LED) (TA)	(C760RDS)
	LSW805 1-762-620-11	SWITCH, KEY BOARD (WITH LED) (AF)	(C760RDS)
	LSW806 1-762-620-11	SWITCH, KEY BOARD (WITH LED) (10)	
	LSW807 1-762-620-11	SWITCH, KEY BOARD (WITH LED) (9)	
	LSW808 1-762-620-11	SWITCH, KEY BOARD (WITH LED) (8)	
	LSW809 1-762-620-11	SWITCH, KEY BOARD (WITH LED) (7)	
	LSW810 1-762-620-11	SWITCH, KEY BOARD (WITH LED) (6)	
	LSW811 1-762-620-11	SWITCH, KEY BOARD (WITH LED) (5)	
	LSW812 1-762-620-11	SWITCH, KEY BOARD (WITH LED) (4)	
	LSW813 1-762-620-11	SWITCH, KEY BOARD (WITH LED) (3)	
	LSW814 1-762-620-11	SWITCH, KEY BOARD (WITH LED) (2)	
	LSW815 1-762-620-11	SWITCH, KEY BOARD (WITH LED) (1)	
	LSW816 1-762-620-11	SWITCH, KEY BOARD (WITH LED) (OFF)	
	LSW817 1-762-620-11	SWITCH, KEY BOARD (WITH LED) (SOURCE)	
	LSW818 1-762-620-11	SWITCH, KEY BOARD (WITH LED) (SHIFT)	



**DISPLAY**

**LIMIT SW**

Ref No	Part No	Description	Remark
LSW819	1-762-620-11	SWITCH, KEY BOARD (WITH LED)	
			(◀◀◀◀ - (SEEK/AMS))
LSW820	1-762-620-11	SWITCH, KEY BOARD (WITH LED) (MODE)	
LSW821	1-762-620-11	SWITCH, KEY BOARD (WITH LED)	
			(▶▶▶▶ + (SEEK/AMS))
LSW822	1-762-620-11	SWITCH, KEY BOARD (WITH LED) (SOUND)	
		< PILOT LAMP >	
PL801	1-517-630-31	LAMP, PILOT	
PL802	1-517-630-31	LAMP, PILOT	
		< TRANSISTOR >	
Q803	8-729-904-78	TRANSISTOR DTD113ZK	
Q804	8-729-904-66	TRANSISTOR DTD113EK	
Q805	8-729-120-28	TRANSISTOR 2SC1623-L5L6	
Q806	8-729-106-60	TRANSISTOR 2SB1115A	
Q807	8-729-106-60	TRANSISTOR 2SB1115A	
		< RESISTOR >	
R801	1-216-647-11	METAL CHIP	680 0 5% 1/10W
R802	1-216-647-11	METAL CHIP	680 0 5% 1/10W
R803	1-216-647-11	METAL CHIP	680 0 5% 1/10W
R804	1-208-437-41	METAL GLAZE	1K 2% 1/10W
R805	1-216-655-11	METAL CHIP	1 5K 0 5% 1/10W
R806	1-216-655-11	METAL CHIP	1 5K 0 5% 1/10W
R807	1-208-445-41	METAL GLAZE	2 2K 2% 1/10W
R808	1-208-449-41	METAL GLAZE	3 3K 2% 1/10W
R809	1-208-453-41	METAL GLAZE	4 7K 2% 1/10W
R810	1-216-671-11	METAL CHIP	6 8K 0 5% 1/10W
R811	1-208-462-41	METAL GLAZE	10K 2% 1/10W
R812	1-208-810-11	METAL GLAZE	15K 2% 1/10W
R813	1-208-518-41	METAL GLAZE	22K 2% 1/10W
R814	1-208-526-41	METAL GLAZE	47K 2% 1/10W
R815	1-216-647-11	METAL CHIP	680 0 5% 1/10W
R816	1-216-647-11	METAL CHIP	680 0 5% 1/10W
R817	1-216-647-11	METAL CHIP	680 0 5% 1/10W
R818	1-208-437-41	METAL GLAZE	1K 2% 1/10W
R819	1-216-655-11	METAL CHIP	1 5K 0 5% 1/10W
R820	1-216-655-11	METAL CHIP	1 5K 0 5% 1/10W
R822	1-216-033-00	METAL CHIP	220 5% 1/10W
R823	1-216-037-00	METAL CHIP	330 5% 1/10W
R824	1-216-025-00	METAL GLAZE	100 5% 1/10W
R825	1-216-029-00	METAL CHIP	150 5% 1/10W
R830	1-216-029-00	METAL CHIP	150 5% 1/10W
			(C760RDS)
R831	1-216-025-00	METAL GLAZE	100 5% 1/10W
			(C760RDS)
R832	1-216-029-00	METAL CHIP	150 5% 1/10W
R833	1-216-025-00	METAL GLAZE	100 5% 1/10W
R834	1-216-029-00	METAL CHIP	150 5% 1/10W

Ref No	Part No	Description	Remark
R835	1-216-025-00	METAL GLAZE	100 5% 1/10W
R836	1-216-037-00	METAL CHIP	330 5% 1/10W
R837	1-216-033-00	METAL CHIP	220 5% 1/10W
R838	1-216-295-00	CONDUCTOR, CHIP	(2012) (C760RDS)
R839	1-216-295-00	CONDUCTOR, CHIP	(2012) (C760RDS)
R841	1-216-041-00	METAL CHIP	470 5% 1/10W
R842	1-216-057-00	METAL CHIP	2 2K 5% 1/10W
R843	1-216-073-00	METAL CHIP	10K 5% 1/10W
R844	1-216-057-00	METAL CHIP	2 2K 5% 1/10W
R845	1-216-057-00	METAL CHIP	2 2K 5% 1/10W
R846	1-216-053-00	METAL CHIP	1 5K 5% 1/10W
R849	1-216-037-00	METAL CHIP	330 5% 1/10W
R850	1-216-033-00	METAL CHIP	220 5% 1/10W
R852	1-216-025-00	METAL GLAZE	100 5% 1/10W
R853	1-216-033-00	METAL CHIP	220 5% 1/10W
R854	1-216-041-00	METAL CHIP	470 5% 1/10W
R855	1-216-121-00	METAL GLAZE	1M 5% 1/10W
R856	1-216-065-00	METAL CHIP	4 7K 5% 1/10W
R857	1-216-065-00	METAL CHIP	4 7K 5% 1/10W
R858	1-216-089-00	METAL GLAZE	47K 5% 1/10W
R859	1-216-089-00	METAL GLAZE	47K 5% 1/10W
R860	1-216-097-00	METAL GLAZE	100K 5% 1/10W
R863	1-216-043-00	METAL GLAZE	560 5% 1/10W
R865	1-216-190-00	METAL GLAZE	470 5% 1/8W (C760)
R866	1-216-186-00	METAL GLAZE	330 5% 1/8W (C760)
R871	1-216-057-00	METAL CHIP	2 2K 5% 1/10W
R872	1-216-057-00	METAL CHIP	2 2K 5% 1/10W
R873	1-216-057-00	METAL CHIP	2 2K 5% 1/10W
R874	1-216-065-00	METAL CHIP	4 7K 5% 1/10W
R875	1-216-065-00	METAL CHIP	4 7K 5% 1/10W
R876	1-216-065-00	METAL CHIP	4 7K 5% 1/10W
R877	1-216-065-00	METAL CHIP	4 7K 5% 1/10W
R878	1-216-041-00	METAL CHIP	470 5% 1/10W
R879	1-216-049-11	METAL GLAZE	1K 5% 1/10W
R888	1-216-057-00	METAL CHIP	2 2K 5% 1/10W
		< ROTARY ENCODER >	
RE801	1-475-014-11	ENCODER, ROTARY	
		< THERMISTOR >	
TH801	1-810-421-11	THERMISTOR NTH5G36B103K01TE	
*****			
*	1-659-835-12	LIMIT SW BOARD	
*****			
		< SWITCH >	
SW3	1-572-688-11	SWITCH, PUSH (1 KEY) (LIMIT)	
*****			

**LOAD SW**

**MAIN**

Ref No	Part No.	Description	Remark
*	1-659-837-11	LOAD SW BOARD ***** < SWITCH >	
SW4	1-572-288-11	SWITCH, PUSH (DOWN) *****	
*	A-3294-250-A	MAIN BOARD, COMPLETE (AEP,UK)	
*	A-3294-253-A	MAIN BOARD, COMPLETE (C760)	
*	A-3294-268-A	MAIN BOARD, COMPLETE (G) *****	
*	3-008-663-01	HEAT SINK (C760)	
*	3-008-663-11	HEAT SINK (C760RDS)	
*	3-008-665-01	BRACKET (IC)	
*	3-010-436-01	BRACKET (H)	
*	3-014-349-01	HEAT SINK (REG 3)	
	7-685-792-09	SCREW +PTT 2 6X6 (S)	
	7-685-793-09	SCREW +PTT 2 6X8 (S) < BUZZER >	
BZ700	1-504-920-11	BUZZER < CAPACITOR >	
C1	1-163-235-11	CERAMIC CHIP 22PF 5% 50V	
C2	1-163-253-11	CERAMIC CHIP 120PF 5% 50V	
C4	1-124-589-11	ELECT 47uF 20% 16V	
C5	1-164-182-11	CERAMIC CHIP 0 0033uF 10% 50V	
C7	1-163-181-00	CERAMIC CHIP 100PF 5% 50V	
C8	1-136-153-00	FILM 0 01uF 5% 50V	
C9	1-130-475-00	MYLAR 0 0022uF 5% 50V	
C10	1-163-251-11	CERAMIC CHIP 100PF 5% 50V	
C11	1-136-173-00	FILM 0 47uF 5% 50V	
C12	1-164-232-11	CERAMIC CHIP 0 01uF 50V	
C13	1-163-251-11	CERAMIC CHIP 100PF 5% 50V	
C14	1-162-927-11	CERAMIC CHIP 100PF 5% 50V	
C15	1-162-927-11	CERAMIC CHIP 100PF 5% 50V	
C17	1-124-589-11	ELECT 47uF 20% 16V	
C18	1-163-237-11	CERAMIC CHIP 27PF 5% 50V	
C19	1-163-237-11	CERAMIC CHIP 27PF 5% 50V	
C20	1-126-933-11	ELECT 100uF 20% 10V	
C21	1-163-038-00	CERAMIC CHIP 0 1uF 25V	
C22	1-126-933-11	ELECT 100uF 20% 10V	
C23	1-163-038-00	CERAMIC CHIP 0 1uF 25V	
C24	1-126-933-11	ELECT 100uF 20% 10V	
C25	1-163-038-00	CERAMIC CHIP 0 1uF 25V	
C32	1-164-346-11	CERAMIC CHIP 1uF 16V	
C33	1-124-589-11	ELECT 47uF 20% 16V	
C37	1-163-213-00	CERAMIC CHIP 0 0022uF 5% 50V	

Ref No	Part No	Description	Remark
C40	1-165-176-11	CERAMIC CHIP 0 047uF 10% 16V	
C41	1-163-009-11	CERAMIC CHIP 0 001uF 10% 50V	
C42	1-124-589-11	ELECT 47uF 20% 16V	
C51	1-163-809-11	CERAMIC CHIP 0 047uF 10% 25V	
C51	1-163-989-11	CERAMIC CHIP 0 033uF 10% 25V	(C760RDS) (C760)
C52	1-164-299-11	CERAMIC CHIP 0 22uF 10% 25V	
C53	1-107-682-11	CERAMIC CHIP 1uF 10% 16V	
C55	1-163-037-11	CERAMIC CHIP 0 022uF 10% 25V	
C59	1-107-682-11	CERAMIC CHIP 1uF 10% 16V	
C63	1-107-682-11	CERAMIC CHIP 1uF 10% 16V	
C65	1-163-037-11	CERAMIC CHIP 0 022uF 10% 25V	
C69	1-107-682-11	CERAMIC CHIP 1uF 10% 16V	
C102	1-115-664-11	ELECT 2 2uF 20% 50V	
C105	1-164-232-11	CERAMIC CHIP 0 01uF 50V	
C106	1-135-179-21	TANTAL CHIP 2 2uF 20% 16V	
C107	1-163-809-11	CERAMIC CHIP 0 047uF 10% 25V	
C108	1-163-017-00	CERAMIC CHIP 0 0047uF 5% 50V	
C109	1-104-946-11	ELECT 10uF 20% 35V	
C110	1-163-017-00	CERAMIC CHIP 0 0047uF 5% 50V	
C111	1-104-946-11	ELECT 10uF 20% 35V	
C112	1-164-489-11	CERAMIC CHIP 0 22uF 10% 16V	
C113	1-104-946-11	ELECT 10uF 20% 35V	
C114	1-104-946-11	ELECT 10uF 20% 35V	
C116	1-126-163-11	ELECT 4 7uF 20% 50V	(C760)
C117	1-162-964-11	CERAMIC CHIP 0 001uF 10% 50V	(C760)
C118	1-126-163-11	ELECT 4 7uF 20% 50V	(C760)
C119	1-126-163-11	ELECT 4 7uF 20% 50V	(C760)
C120	1-163-009-11	CERAMIC CHIP 0 001uF 10% 50V	(C760)
C121	1-126-163-11	ELECT 4 7uF 20% 50V	(C760)
C122	1-107-682-11	CERAMIC CHIP 1uF 10% 16V	
C123	1-107-682-11	CERAMIC CHIP 1uF 10% 16V	
C126	1-104-563-11	FILM CHIP 0 1uF 5% 16V	
C127	1-104-563-11	FILM CHIP 0 1uF 5% 16V	
C128	1-104-563-11	FILM CHIP 0 1uF 5% 16V	
C129	1-104-563-11	FILM CHIP 0 1uF 5% 16V	
C130	1-163-009-11	CERAMIC CHIP 0 001uF 10% 50V	
C131	1-163-009-11	CERAMIC CHIP 0 001uF 10% 50V	
C132	1-163-009-11	CERAMIC CHIP 0 001uF 10% 50V	
C133	1-163-009-11	CERAMIC CHIP 0 001uF 10% 50V	(C760)
C150	1-104-952-11	ELECT 22uF 20% 16V	
C151	1-104-952-11	ELECT 22uF 20% 16V	